

CATALOG NO. _____



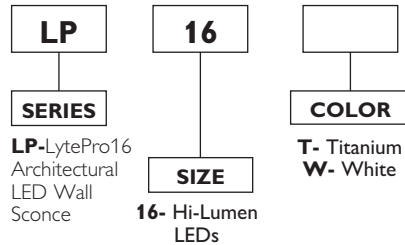
TYPE NO. _____ JOB NAME _____

LytePro16 Architectural LED Wall Sconce



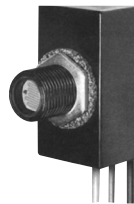
ORDERING INFORMATION

Catalog Number: Example: LP16T

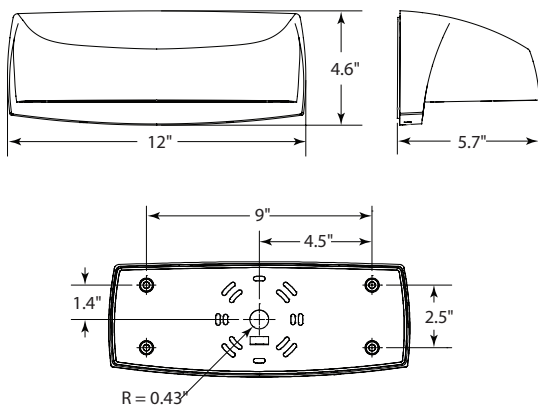


ACCESSORIES

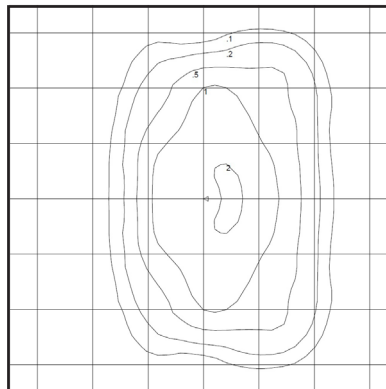
PCB 1- Button-type photocontrol. 2-1/8" x 1" x 3/4". 3/8" NPS threaded nipple for use in boxes, fittings and other protective enclosures.



TECHNICAL INFORMATION



PHOTOMETRIC DATA



Horizontal Footcandles
 Scale: 1 inch = 12 ft
 Light Loss Factor = 1.00
 Lumens Per Lamp = N.A. (absolute photometry)
 Luminaire Lumens = 2500
 Mounting Height = 12.00 ft
 Maximum Calculated Value: 2.16 fc
 Arrangement: Single

PRODUCT SPECIFICATIONS

- Provides safety and security in residential and light commercial applications in location such as entrances, over garages, illuminate house numbers, wall signs and located along perimeters and pathways.
- Requires only 40 system watts for environmentally-friendly operation.
- Sixteen high-output LEDs have an average rated life of 60,000 hours.
- Patented Philips LED Optical System individually controls the placement of light in the target area minimizing glare.
- Type III distribution with shielded optics collects and redirect light to optimize performance.
- 4000K neutral color temperature delivers light with minimal waste.
- Functions in environments with temperatures that range from -30°C to 40°C
- Housing constructed of heavy die cast aluminum and fully gasketed
- Corrosion resistant Duraplex II polyester powder coated finish available in white and titanium
- Acrylic lens
- Electronic LED driver accepts 120-277v, 50/60Hz input (constant current)
- Integral cast aluminum heat sink ensures cool operation.
- Complete with integral splice chamber.
- Built-in bubble level for accuracy.
- Universal mounting plate with hook and lock mounting.
- Optional field installed PCB1 photocontrol for automatic all night lighting.
- Patent Pending Design
- ETL tested suitable for wet location
- Five year warranty

