



Project: \_\_\_\_\_  
 Type: \_\_\_\_\_  
 Model No: \_\_\_\_\_ Qty: \_\_\_\_\_  
 Date: \_\_\_\_\_  
 Notes: \_\_\_\_\_

**Emergency LED Driver**  
**Extreme Cold Environments**  
**23.1 Watts output power**

Product order number: BSL722ColdM (metal case)

**Specifications**

**UL COMPONENT RECOGNIZED/CSA Certified**  
 Factory Installation Only  
 (Indoor and Damp locations including Sealed and Gasketed fixtures)

**Illumination Time**  
 90 Minutes

**Full Warranty**  
 3 Years (NOT pro-rata)

**Universal Input Voltage**  
 120 through 277 VAC, 50/60 Hz

**AC Input Current**  
 260 mA

**AC Input Power Rating**  
 37 W

**Output Voltage**  
 28.0 to 33.0 VDC

**Output Current**  
 700 mA Nominal

**Output Power**  
 23.1 W (Maximum)

**Test Switch**  
 Low Voltage, IP67 rated ITS

**Battery**  
 High-Temperature, Maintenance-Free  
 Nickel-Cadmium Batteries  
 7- to 10-Year Life Expectancy

**Battery Charging Current**  
 160 mA

**Recharge Time**  
 24 Hours

**Charging Indicator Light**  
 LED (Optionally Provided)

**Temperature Rating (Ambient)**  
 -20°C to +60°C (-4°F to 140°F)

**Dimensions**  
 9.4" x 2.2" x 1.05"  
 (238 mm x 55.9 mm x 26.7 mm)  
 Mounting Center 8.9" (226 mm)

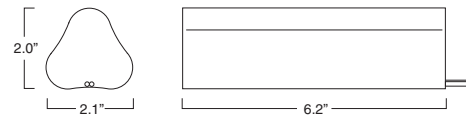
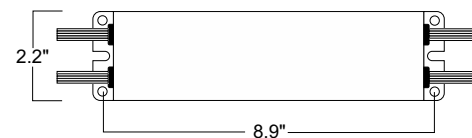
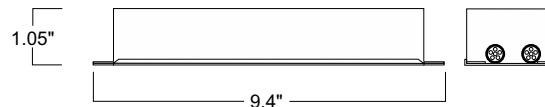
**Weight**  
 4.75 lbs. (2.12 kg)

**Benefits:**

- Operates in extreme cold environments
- For use in damp locations as well as sealed and gasketed fixtures
- Universal input (120 through 277 VAC, 50/60 Hz)

**Dimensions**

9.4" x 2.2" x 1.05" (mounting center - 11.5")



Battery Configuration

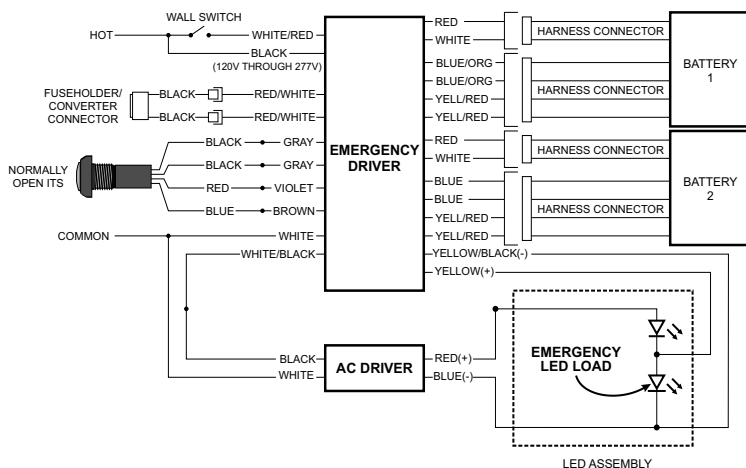


Low Voltage, IP67 rated ITS

# BSL722 Cold-Pak

Emergency LED Driver, Cold-Pak for Extreme Temps, 23.1 Watts output power

## Typical Wiring Diagram



## Application

The BSL722 Cold-Pak emergency LED driver works in conjunction with an AC LED driver to convert new or existing LED fixtures into emergency lighting. The emergency driver unit consists of a battery charger and electronic circuitry in one compact case. The batteries are separate from the driver. The BSL722 Cold-Pak can be used with an LED lighting load of up to 23.1 Watts at rated current of 700 mA for 90 minutes. If used in an emergency-only fixture, no AC driver is necessary. The BSL722 Cold-Pak is suitable for damp locations as well as sealed and gasketed fixtures. The BSL722 Cold-Pak is not suitable for air handling heated air outlets or wet or hazardous locations. For more information about specific LED and AC driver compatibility, please call the factory.

## Operation

When AC power fails, the BSL722 Cold-Pak immediately switches to the emergency mode, operating the LEDs for a minimum of 90 minutes. When AC power is restored, the emergency driver automatically returns to the charging mode.

## Installation

The BSL722 Cold-Pak does not affect normal fixture operation and may be used with either a switched or unswitched fixture. If a switched fixture is used, an unswitched hot lead must be connected to the emergency driver. The emergency driver must be fed from the same branch circuit as the AC driver. Installation is not recommended with fixtures where the ambient temperature may fall below  $-20^{\circ}\text{C}$ .

## Emergency Illumination

The BSL722 Cold-Pak operates an LED load of up to 23.1 W at rated current (700 mA Nominal) for a minimum of 90 minutes.

## Specification

Emergency lighting shall be provided by using a standard LED fixture equipped with a Philips Bodine BSL722 Cold-Pak emergency driver. This emergency driver shall consist of two high-temperature, maintenance-free nickel-cadmium batteries with a separate battery charger and electronic circuitry contained in one 9.4" x 2.2" x 1.05" metal case. Battery

and installation hardware shall be provided and a low voltage, normally open, IP67 rated ITS. The emergency driver shall be capable of operating an LED load of up to 23.1 Watts at rated current (700 mA) for a minimum of 90 minutes. It is suitable for damp locations as well as sealed and gasketed fixtures. The BSL722 Cold-Pak shall have 37 Watts of input power and a 54.0 Watt-hour battery capacity and shall comply with emergency standards set forth by the current NEC. The emergency driver shall be UL Component Recognized for factory installation only.

## Warranty

Model BSL722 Cold-Pak is warranted for three (3) full years from date of purchase. please see detailed warranty information on our web site.

© 2016 Philips Lighting Holding B.V. All rights reserved. Philips reserves the right to make changes in specifications and/or to discontinue any product at any time without notice or obligation and will not be liable for any consequences resulting from the use of this publication.



Philips Emergency Lighting  
236 Mt. Pleasant Rd.  
Collierville, TN 38017  
Tech Support: 888.263.4638  
Sales: 800.223.5728

Document order number: L2300003 12.1030

philips.com/bodine