



BR30 DimTone LED

13BR30/END/F90 22K-27K 6/1

Philips BR30 DimTone Dimmable LED Lamps with AirFlux Technology provide a soft, diffused level of light and smooth dimming from 2700K to 2200K to create a warm inviting atmosphere.

Product data

• General Characteristics

Cap-Base	E26
Bulb	BR30
Bulb Finish	White
Rated Avg. Life (Hours)	25000 hr
Rated Lifetime (years)	22.8 an

• Light Technical Characteristics

Beam Angle	90 D
Beam Description	90D [Flood]
Correlated Color Temperature	2700 K
CRI	83
Rated Luminous Flux	730 Lm

• Electrical Characteristics

Wattage	13 W
Wattage Technical	13 W
Voltage	120 V
Line Frequency	60 Hz
Power Factor	0.9 -
Lamp Current mA	128 mA

Dimmable	Yes
Wattage Equivalent	65 W

• Measuring Conditions

Switching cycle	20000x
-----------------	--------

• Product Dimensions

Overall Length C	131.5 mm
Overall Length C [inch]	5.177 (max) in
Diameter D	95 mm

• Product Data

Product number	426445
Full product name	13BR30/END/F90 22K-27K 6/1
Short product name	13BR30/END/F90 22K-27K 6/1
Pieces per Sku	1
eop_pck_cfg	6
Skus/Case	6
Bar code on pack	46677426446
Bar code on case	50046677426441
Logistics code(s)	929000234404
eop_net_weight_pp	0.275 kg

Warnings and Safety

- Suitable for use in damp locations.
- Do not use in outdoor fixtures.

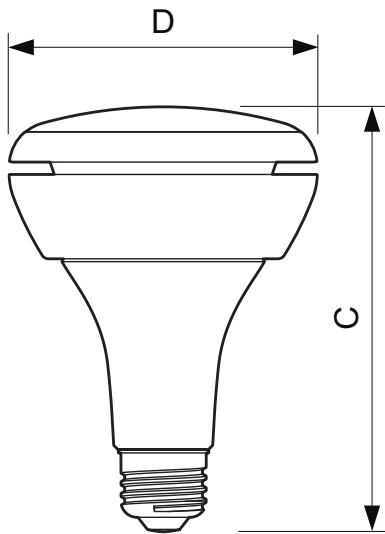
- Not for use in totally enclosed luminaires.
- Before replacing, turn off power and let lamp cool to avoid electrical shock or burn.



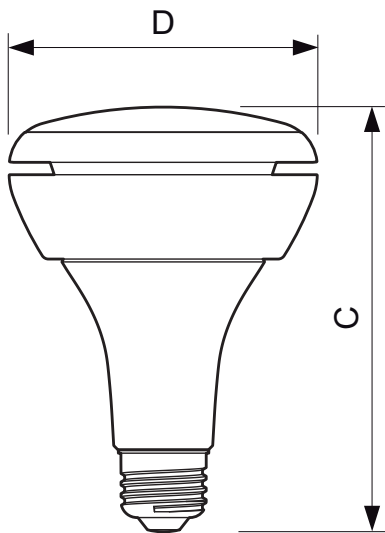
PHILIPS

sense and simplicity

Dimensional drawing



13BR30/END/F90 22K-27K 6/1



13BR30/END/F90 22K-27K 6/1



E26



© 2013 Koninklijke Philips Electronics N.V.
All rights reserved.

Specifications are subject to change without notice. Trademarks are the property of Koninklijke Philips Electronics N.V. or their respective owners.

www.philips.com/lighting

2013, May 13
data subject to change