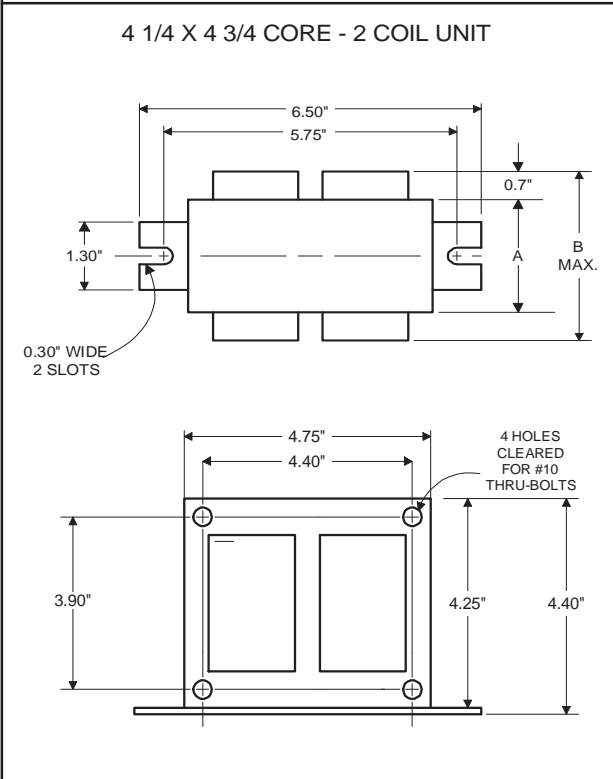




Metal
Halide
Lamp Ballast

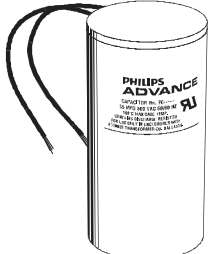
Catalog Number 71A5752
For 250W M138/M153 (P.S.)
60 Hz SUPER-CWA
Status: Active

DIMENSIONS AND DATA

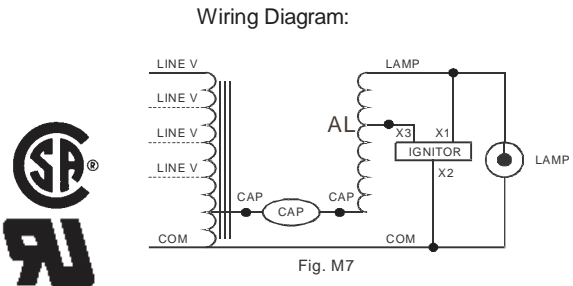


	120	208	240	277	480
INPUT VOLTS					
CIRCUIT TYPE	SUPER-CWA				
POWER FACTOR (min)	90%				
REGULATION					
Line Volts	±10%				
Lamp Watts	±10%				
LINE CURRENT (Amps)					
Operating.....	2.37	1.39	1.18	1.03	0.60
Open Circuit.....	1.38	0.82	0.70	0.62	0.37
Starting.....	1.65	0.97	0.84	0.73	0.43
UL TEMPERATURE RATINGS					
Insulation Class	H(180°C)				
Coil Temperature Code	1029				
MIN. AMBIENT STARTING TEMP.	-20°F or -30°C				
NOM. OPEN CIRCUIT VOLTAGE	280				
INPUT VOLTAGE AT LAMP DROPOUT.....	60	104	120	138	240
INPUT WATTS	284				
RECOMMENDED FUSE (Amps).....	8	5	5	3	2
CORE and COIL					
Dimension (A)	2.20				
Dimension (B)	4.00				
Weight (lbs.)	11.5				
Lead Lengths	12"				
CAPACITOR REQUIREMENT					
Microfarads	17.0				
Volts (min.)	330				
Fault Current Withstand (amps)					
60 Hz TEST PROCEDURES (Refer to Advance Test Procedure for HID Ballasts - Form 1270)					
High Potential Test (Volts)					
1 minute	2000				
2 seconds	2500				
Open Circuit Voltage Test (Volts)	254-308				
Short-Circuit Current Test (Amps)					
Secondary Current	2.35-2.88				
Input Current.....	1.28-1.92	0.75-1.12	0.64-0.97	0.56-0.84	0.32-0.49

Capacitor: 7C170P40



Capacitance: 17
Dia/Oval Dim: 1.75
Height: 3.75
Temp Rating: 105°C



Ignitor: LI533-H4



Ballast to Lamp Distance (BTL) = 2 feet
Temp Rating: 105°C

Ordering Information

Order Suffix	Description
EE	EISA COMPLIANT - 88% EFFICIENT BALLAST

Data is based upon tests performed by Advance Transformer in a controlled environment and representative of relative performance. Actual performance can vary depending on operating conditions. Specifications are subject to change without notice.