



Date: _____ Type: _____

Firm Name: _____

Project: _____

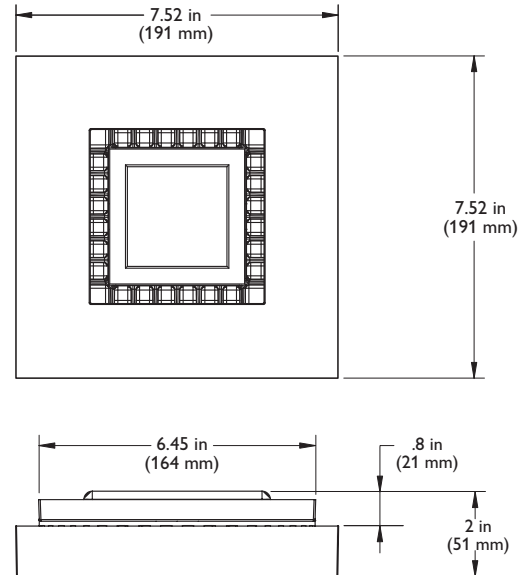
eW Downlight Powercore

2700 K

Energy-efficient LED downlight

eW® Downlight Powercore is a low-profile, surface-mounted LED downlight for basic white general illumination. This easy-to-install, dimmable fixture uses standard mounting and direct line voltage connection without the need for remote transformers. Suitable for common spaces, elevators, conference rooms, kitchenettes, and interiors in commercial, hospitality, retail, and residential environments, eW Downlight Powercore is especially appropriate where recessed installation is not possible.

- Integrates patented Powercore technology— Powercore technology rapidly, efficiently, and accurately controls power output to eW Downlight Powercore fixtures directly from line voltage, eliminating transformers and other external power supplies.
- Simple, standard installation — Contractor-friendly installation uses standard wiring and mounting to dramatically simplify installation and help lower total system cost.
- High-quality light at substantially lower cost — Provides light level and quality comparable to CFL downlights with no wasted energy, light, or heat. Offers total cost of ownership reduction of up to 58% as compared with CFL downlights.
- ENERGY STAR® qualified — As an ENERGY STAR qualified LED luminaire, eW Downlight Powercore uses 80% less energy and can last over 40 times longer than incandescent lighting — up to 85,000 hours of use at 70% lumen maintenance.
- Flexible mounting options — Mounts to a standard junction box or directly to a flat mounting surface where allowed. Slotted through-holes in the mounting plate provide adjustment in surface mount applications. Swivel bracket for 120 and 277 VAC units allows precise adjustment during installation.
- Warm and cool color temperatures — Available in two color temperatures, a warm 2700 K appropriate for intimate, open



environments such as restaurants, hotel lobbies, and homes, and a cool 4000 K for lighting clean and efficient spaces such as offices, classrooms, and hospitals.

- Two available beam angles — Available with a 30° beam angle for high ceilings or spotlighting, and a 65° beam angle for floodlighting and low-ceiling environments such as corridors.
- Four available voltages — Power modules of 100 VAC, 120 VAC, 220 - 240 VAC, and 277 VAC are available for consistent installation and operation in multiple locations.
- Unobtrusive, sleek design — Low-profile fixture is ideal for surface mounting and semi-recessed applications. Metal bezel is available in white, black, or brushed aluminum.
- Dimming capability — Patented DIMand technology offers smooth dimming capability with many ELV-type dimmers.

For detailed product information, please refer to the eW Downlight Powercore Product Guide at www.colorkinetics.com/ls/essentialwhite/ewdownlight/



A Green Flagship Product

Our Green Flagship Products offer significantly improved environmental performance in two or more of the following Green Focal Areas: weight, energy consumption, hazardous substances, packaging, recycling, disposal, and lifetime reliability.

PHILIPS

Specifications

Due to continuous improvements and innovations, specifications may change without notice

Item	Specification	Details
Output	Beam Angle	30° FWHM / 65° FWHM ENERGY STAR
	Lumens†	405 (30° beam angle) 527 (65° beam angle)
	Color Temperature	2700 K (+/- 145)
	Efficacy (lm/W)	27.0 (30° beam angle) 35.1 (65° beam angle)
	CRI	84
	Lumen Maintenance‡	85,000 hours L70 @ 25° C 50,000 hours L70 @ 50° C
Electrical	Input Voltage	100 / 120 / 220 – 240 / 277 VAC, 50 / 60 Hz
	Power Consumption	15 W maximum at full output, steady state
	Power Factor	0.95
Control	Dimming	Compatible with many commercially available ELV, trailing edge, or reverse-phase control dimmers.*
Physical	Dimensions (Height x Width x Depth)	7.5 x 7.5 x 2 in (191 x 191 x 51 mm)
	Weight	3.1 lb (1.4 kg)
	Housing	Die-cast aluminium chassis and bezel with black, white, or brushed aluminum finish
	Lens	Clear polycarbonate
	Fixture Connections	6 in (152 mm) flying leads (100 / 120 / 277 VAC) Terminal block (220 – 240 VAC)
	Operating Temperature	-40° – 122° F (-40° – 50° C) Operating -4° – 122° F (-20° – 50° C) Startup
Certification and Safety	Humidity	0 – 95%, non-condensing
	Certification	UL / cUL, FCC Class B for 120 / 277 VAC, CE
	LED Class	Class 2 LED product
	Environment	Dry / Damp Location, IP50
	Energy Efficiency	ENERGY STAR

† Lumen measurement complies with IES LM-79-08

‡ L70 = 70% maintenance of lumen output. (When light output drops below 70% of initial output.)

* See www.colorkinetics.com/support/appnotes/notes/AN-eW_Dimming.pdf for specific details.



Fixtures and Accessories

Item	Type	Item Number	Philips 12NC	
Power Modules	100 VAC	523-000010-02	910503700235	
	120 VAC	523-000010-00	910503700233	
	220 – 240 VAC	523-000010-03	910503700236	
	277 VAC	See Product Guide for details		
Lamp Modules	65° beam angle	523-000009-00	910503700229	
	30° beam angle	523-000009-02	910503700231	
Bezel Modules	White	523-000011-00	910503700237	
	Black	523-000011-01	910503700238	
	Brushed Aluminum	523-000011-02	910503700239	
Complete Fixture Kit 220 – 240 VAC only	White	65° beam angle	523-000031-06	910503700346
		30° beam angle	523-000031-00	910503700340
	Black	65° beam angle	523-000031-08	910503700348
		30° beam angle	523-000031-02	910503700342
	Brushed	65° beam angle	523-000031-10	910503700350
	Aluminum	30° beam angle	523-000031-04	910503700344

Use Item Number when ordering in North America.

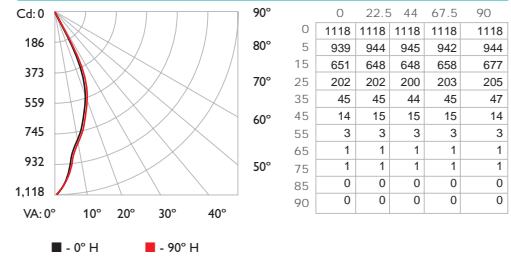


Philips Color Kinetics
3 Burlington Woods Drive
Burlington, Massachusetts 01803 USA
Tel 888.385.5742
Tel 617.423.9999
Fax 617.423.9998
www.colorkinetics.com

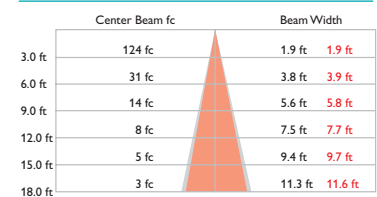
Photometrics

2700 K, 30° (narrow) beam angle

Polar Candela Distribution



Illuminance at Distance



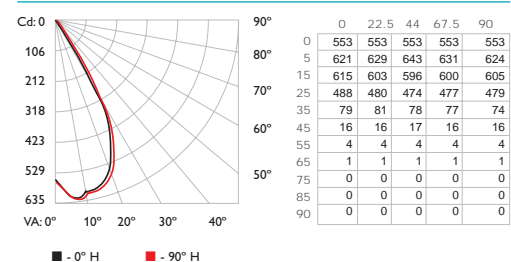
33.5 ft (10.2 m) 1 fc maximum distance
Vert. Spread: 34.9°
Horiz. Spread: 35.8°

Power Consumption	15 W
Lumens	405
Efficacy	27.0 lm/W

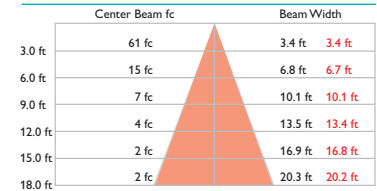
For lux multiply fc by 10.7

2700 K, 65° (wide) beam angle

Polar Candela Distribution



Illuminance at Distance



23.5 ft (7.2 m) 1 fc maximum distance
Vert. Spread: 58.8°
Horiz. Spread: 58.5°

Power Consumption	15 W
Lumens	527
Efficacy	35.1 lm/W

For detailed product information, please refer to the eW Downlight Powercore Product Guide at www.colorkinetics.com/ls/essentialwhite/ewdownlight/

Copyright © 2009 – 2010 Philips Solid-State Lighting Solutions, Inc. All rights reserved. Chromacore, Chromasic, CK, the CK logo, Color Kinetics, the Color Kinetics logo, ColorBlast, ColorBlaze, ColorBurst, ColorGraze, ColorPlay, ColorReach, iW Reach, eW Reach, DIMand, EssentialWhite, eW, iColor, iColor Cove, IntelliWhite, iW, iPlayer, Optibin, and Powercore are either registered trademarks or trademarks of Philips Solid-State Lighting Solutions, Inc. in the United States and / or other countries. All other brand or product names are trademarks or registered trademarks of their respective owners. Due to continuous improvements and innovations, specifications may change without notice.

DAS-000011-01 R03 02-10