



# MasterColor CDM-R Elite

MASTERColor CDM-R Elite 70W/930 E26/24 PAR30L 40D

The Elite family is at the very top of the MasterColor CDM range, and gives a unique combination of unbeatable light quality and consistent performance over lifetime, while keeping running costs low. MasterColor metal halide lamps deliver consistent white light and higher color rendering than any standard metal halide source for architectural lighting. MasterColor CDM Elite PAR30L lamps deliver similar performance as the MasterColor Elite family lamps in the familiar PAR30L shape.

## Product data

### • General Information

Cap-Base	Medium [ Medium]
Bulb Shape	PAR30L [ PAR 3.75 inch/95mm Long]
Operating Position	Universal [ Universal]
Life To 5% Failures (Nom)	9000 h
Life To 10% Failures (Nom)	10000 h
Life To 20% Failures (Nom)	12000 h
Life To 50% Failures (Nom)	15000 h
ANSI Code HID	C98/O
Switching Cycle	1350X

### • Light Technical

Color Code	930 [ CCT of 3000K]
Beam Angle (Nom)	40 °
Beam Angle Technical (Nom)	37 °
Luminous Intensity (Nom)	9300 cd
Beam Description	Flood [ Flood]
Color Designation	Warm White (WW)
Lumen Maintenance 12000 h (Nom)	82 %
Lumen Maintenance 2000 h (Nom)	94 %
Lumen Maintenance 4000 h (Nom)	90 %
Design Mean Lumens	4510 lm
Chromaticity Coordinate X (Nom)	0.443
Chromaticity Coordinate Y (Nom)	0.402

Correlated Color Temperature (Nom)	3000 K
Luminous Efficacy (rated) (Nom)	76 lm/W
Color Rendering Index (Min)	89
Color Rendering Index (Nom)	92
LLMF At End Of Nominal Lifetime (Nom)	80 %
Luminous Flux In 90° Cone (Rated)	4400 lm

### • Operating and Electrical

Power (Rated) (Nom)	73.0 W
Re-Ignition Time (Min) (Max)	15 min
Warm Up Time To 60% Light (Nom)	120 s
Ignition Time (Max)	30 s
Voltage (Max)	- V
Voltage (Min)	- V
Voltage (Nom)	97 V

### • Controls and Dimming

Dimmable	No
Run-Up Time 90% (Max)	3 min

### • Mechanical and Housing

Bulb Finish	Clear (CL)
-------------	------------

**PHILIPS**

## • Approval and Application

Energy Efficiency Label (EEL)	-
Mercury (Hg) Content (Nom)	6.6 mg
Energy Consumption kWh/1000 h	80 kWh

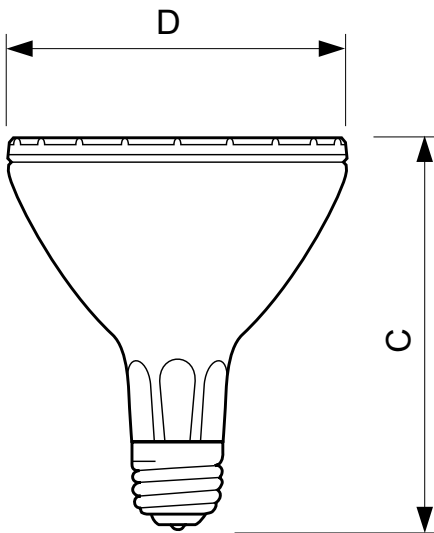
## • Luminaire Design Requirements

Bulb Temperature (Max)	300 °C
Cap-Base Temperature (Max)	200 °C

## Warnings and Safety

- R "WARNING: These lamps can cause serious skin burn and eye inflammation from short wave ultraviolet radiation if outer envelope of the lamp is broken or punctured. Do not use where people will

## Dimensional drawing



CDM-R Elite /930, /942 E26 PAR30L



## • Product Data

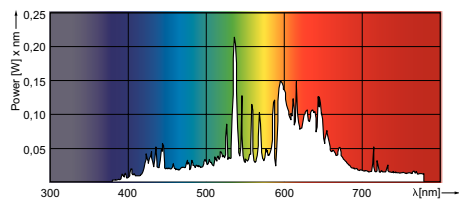
Order product name	MASTERColor CDM-R Elite 70W/930 E26 PAR30L 40D
EAN/UPC - Product	046677426545
Order code	426544
Numerator - Quantity Per Pack	1
Numerator - Packs per outer box	6
Material Nr. (12NC)	928109800615
Net Weight (Piece)	0.220 kg
ILCOS Code	MRS/UB-70/30/1A-H-E26

remain for more than a few minutes unless adequate shielding or other safety precautions are used. Certain lamps that will automatically extinguish when the outer envelope is broken or punctured are commercially available." This lamp complies with FDA radiation performance standard 21 CFR subchapter J. (USA:21 CFR 1040.30 Canada: SOR/DORS/80-381)

## CDM-R Elite 70W/930 E26 PAR30L 40D

Product	D	C
MASTERColor CDM-R Elite 70W/930 E26 PAR30L 40D	97 mm	123 mm

## Photometric data



© 2015 Philips Lighting Holding B.V.  
All rights reserved.

Specifications are subject to change without notice. Trademarks are the property of Koninklijke Philips N.V. (Royal Philips) or their respective owners.

[www.philips.com/lighting](http://www.philips.com/lighting)

2015, December 10  
data subject to change