



MASTERColor CDM-Rm Elite Mini

MASTERColor CDM-Rm Elite Mini 20W/830 GX10 MR16 40D

The Elite family is at the very top of the MasterColor CDM range, and gives a unique combination of unbeatable light quality and consistent performance over lifetime, while keeping running costs low. The MasterColor DCM Elite MR16 combines the familiar compact shape of MR16 halogen lamps with the performance of ceramic metal halide MasterColor Elite lamps. Suited for accent/decorative lighting, general lighting and downlighting in retail applications; or for outdoor landscaping and architectural effects.

Product data

• General Information

Cap-Base	GX10 [GX10]
Bulb Shape	MR16 [2inch/50mm]
Operating Position	Universal [Universal]
Life To 5% Failures (Nom)	9000 h
Life To 10% Failures (Nom)	10000 h
Life To 20% Failures (Nom)	12000 h
Life To 50% Failures (Nom)	15000 h
ANSI Code HID	C156/O
Switching Cycle	1350X

• Light Technical

Color Code	830 [CCT of 3000K]
Beam Angle (Nom)	40 °
Beam Angle Technical (Nom)	36 °
Beam Angle Technical (Max)	45 °
Beam Angle Technical (Min)	27 °
Luminous Intensity (Min)	1350 cd
Luminous Intensity (Nom)	1750 cd
Beam Description	-
Lumen Maintenance 12000 h (Nom)	75 %
Lumen Maintenance 2000 h (Nom)	90 %
Lumen Maintenance 4000 h (Nom)	85 %

Chromaticity Coordinate X (Nom)	0.439
Chromaticity Coordinate Y (Nom)	0.403
Correlated Color Temperature (Nom)	3000 K
Luminous Efficacy (rated) (Nom)	50 lm/W
Color Rendering Index (Min)	81
Color Rendering Index (Nom)	84
LLMF At End Of Nominal Lifetime (Nom)	70 %
Luminous Flux In 90° Cone (Rated)	900 lm

• Operating and Electrical

Power (Rated) (Nom)	20.0 W
Re-Ignition Time (Min) (Max)	15 min
Warm Up Time To 60% Light (Nom)	120 s
Ignition Time (Max)	30 s
Voltage (Max)	100 V
Voltage (Min)	90 V
Voltage (Nom)	95 V

• Controls and Dimming

Dimmable	No
Run-Up Time 90% (Max)	3 min

PHILIPS

MASTERColor CDM-Rm Elite Mini

Mechanical and Housing

Bulb Finish - [-]

Approval and Application

Energy Efficiency Label (EEL) A
 Mercury (Hg) Content (Nom) 3.5 mg
 Energy Consumption 22 kWh/1000 h

UV

Pet (Niosh) (Min) 8 h/500lx
 Damage Factor D/fc (Max) 0.4

Luminaire Design Requirements

Reflector Neck Temperature (Max) 215 °C

Product Data

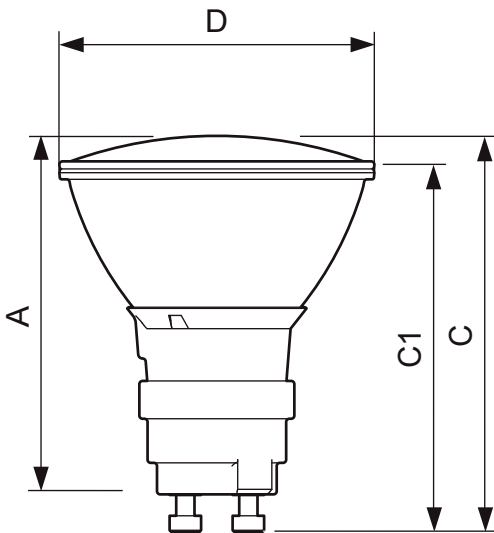
Order product name MASTERColor CDM-Rm Elite Mini
 20W/830 GX10 MR16 40D
 EAN/UPC - Product 046677421670
 Order code 421677
 Numerator - Quantity Per Pack 1
 Numerator - Packs per outer box 12
 Material Nr. (12NC) 928191205315
 Net Weight (Piece) 0.047 kg
 ILCOS Code MRS/UB-20/830-H-GX10-51/54.5/40

Warnings and Safety

• R "WARNING: These lamps can cause serious skin burn and eye inflammation from short wave ultraviolet radiation if outer envelope of the lamp is broken or punctured. Do not use where people will

remain for more than a few minutes unless adequate shielding or other safety precautions are used. Certain lamps that will automatically extinguish when the outer envelope is broken or punctured are commercially available." This lamp complies with FDA radiation performance standard 21 CFR subchapter J. (USA:21 CFR 1040.30 Canada: SOR/DORS/80-381)

Dimensional drawing

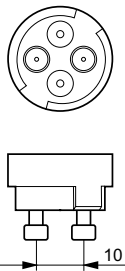


CDM-Rm, GX10, MR16

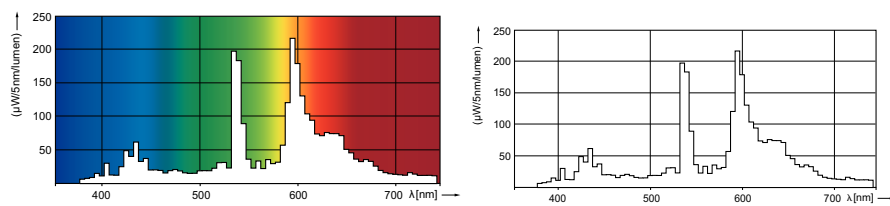
CDM-Rm 20W/830 GX10 MR16 40D

Product	D	D	C	C	C1	A
MASTERColor CDM-Rm Elite Mini 20W/830 GX10 MR16 40D	51 mm	50 mm	65,4 mm	62,75 mm	60,9 mm	59 mm

Dimensional drawing



Photometric data



© 2016 Philips Lighting Holding B.V.
All rights reserved.

Specifications are subject to change without notice. Trademarks are the property of Koninklijke Philips N.V. (Royal Philips) or their respective owners.

www.philips.com/lighting

2016, March 22
data subject to change