

Philips PL-T 42W 4-Pin
Compact Fluorescent
Lamps featuring ALTO
Lamp Technology

*Ideal for downlights
in offices, hotels and
retail environments*

PL SERIES



TCLP
Compliant*

† This lamp is better for the environment because of its reduced mercury content. All Philips ALTO lamps give you end-of-life options which can simplify and reduce your lamp disposal costs depending on your state and local regulations.

* The EPA's TCLP test is used to determine if an item can be managed as hazardous or non-hazardous waste. Philips ALTO and ALTO II lamps are TCLP Compliant and can be managed as non-hazardous waste.

Low mercury, energy savings

Philips PL-T 42W Compact Fluorescent lamps offer designers, specifiers, and end-users new levels of efficiencies and versatility in sizes, configurations and application possibilities.

Temperature-independent lamp

- Amalgam technology provides high lumen output over a wide temperature range

Extended relamping cycles

- Reduced maintenance costs
- 16,000 hours rated average life¹ (3 hours per start)
- 20,000 hours rated average life² (12 hours per start)

Dimmable for application flexibility and energy savings

- PL-T 42W 4-pin lamps may be used with electronic dimming and emergency ballasts.

More design flexibility

- 25% shorter than PL-C lamps

Better for the environment

- Only has 1.4mg of mercury with ALTO lamp technology

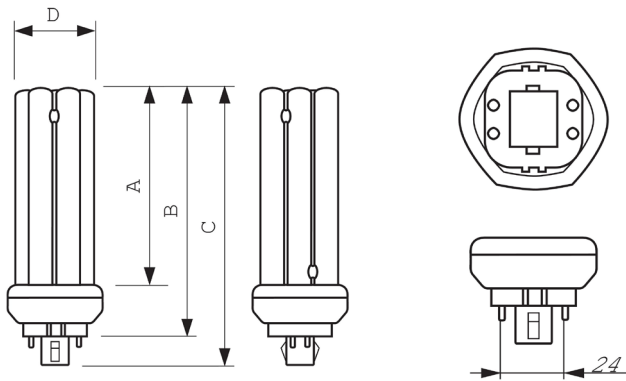
PHILIPS

Philips PL-T 42W 4-Pin Compact Fluorescent Lamps featuring ALTO Lamp Technology

Ordering, Electrical and Technical Data (Subject to change without notice)

Product Number	Ordering Code	Generic Designation	Nom. Watts	Base	Pkg. Qty.	Lamp Current (mA)	Volts	Approx. Initial Lumens ³	M.O.L. (In.)	Rated Avg. Life 3-hr. start ¹	Rated Avg. Life 12-hr. start ²	Color Temp. (Kelvin)	CRI
● I4900-5	PL-T 42W/827/4P/LL/A/ALTO	CFTR42W/GX24q/827	42	GX24q-4	12	320	135	3200	6 3/8	16,000	20,000	2700	82
● I4901-3	PL-T 42W/830/4P/LL/A/ALTO	CFTR42W/GX24q/830	42	GX24q-4	12	320	135	3200	6 3/8	16,000	20,000	3000	82
● I4902-1	PL-T 42W/835/4P/LL/A/ALTO	CFTR42W/GX24q/835	42	GX24q-4	12	320	135	3200	6 3/8	16,000	20,000	3500	82
● I4903-9	PL-T 42W/841/4P/LL/A/ALTO	CFTR42W/GX24q/841	42	GX24q-4	12	320	135	3200	6 3/8	16,000	20,000	4100	82

- 1) Average life under specified test conditions with lamps turned off and restarted no more frequently than once every 3 operating hours. Lamp life is appreciably longer if lamps are started less frequently.
 2) Average life under engineering data with lamps turned off and restarted once every 12 operating hours.
 3) Approximate initial lumens. The lamp lumen output is based upon lamp performance after 100 hours of operating life under standard laboratory conditions.
- This lamp is better for the environment because of its reduced mercury content. All Philips ALTO lamps give you end-of-life options which can simplify and reduce your lamp disposal costs depending on your state and local regulations.



Lamp Dimensions

PL-T 42W/4P	
A	4 7/8"
B	5 7/8"
C	6 3/8"
D	1 5/8"



© 2013 Philips Lighting Company.
 A Division of Philips Electronics North America Corporation.
 All rights reserved.
 Printed in USA 3/13
 P-6487
www.philips.com

Philips Lighting Company
 200 Franklin Square Drive
 Somerset, NJ 08873
 1-800-555-0050

Philips Lighting
 281 Hillmount Road
 Markham, Ontario
 Canada L6C 2S3
 1-800-555-0050
 A Division of Philips Electronics Ltd.