

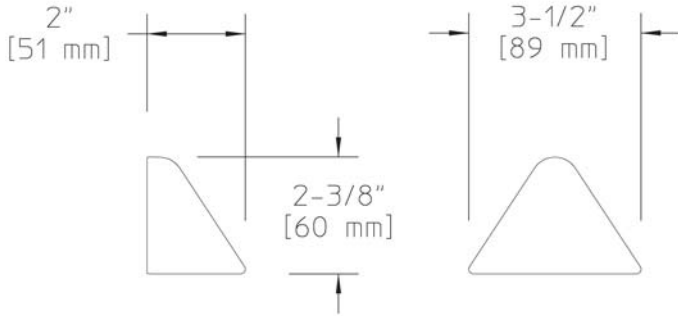
Aluminum Decklyte (SRL4) Specification Sheet

Project Name:	Location:	MFG: Philips Hadco
Fixture Type:	Catalog No.:	Qty:

Ordering Guide

Example: SRL4 A

Product Code	SRL4	Aluminum Decklyte
Finish	A	Black
	B	White
	G	Verde
	H	Bronze



Specifications

HOUSING:

Die-cast aluminum. Fasteners are 300 series stainless steel.

FINISH:

Thermoset polyester powdercoat is electrostatically applied after a five-stage conversion cleaning process and bonded by heat fusion thermosetting. Laboratory tested for superior weatherability and fade resistance in accordance with ASTM B117 specifications.

LAMPING:

12W maximum wedge base T3-¼ lamp. 10W wedge base T3 ¼ (xenon) lamp is included with fixture. Lower wattage lamps are acceptable. Xenon lamp life is approximately 10,000 hours. Lamp does not need to be protected and can be directly handled.

ELECTRICAL ASSEMBLY:

Wedge base socket type (T3-¼ or T5). 12 volt fixture is pre-wired with 6-ft. pigtail of 18-2 AWG, 105° C, SPT-1W wire. Low voltage quick connector, catalog #LVC3 included for easy hook-up to the low voltage supply cable, not included. 12 Volt system requires remote transformer, not included.

INSTALLATION & MOUNTING:

Two (2) Stainless #8 wood screws (supplied) via key slots.

WARRANTY:

Three-year limited warranty.

CERTIFICATIONS:

ETL listed to U.S. safety standards for wet locations. cETL listed to Canadian safety standards for wet locations. Manufactured to ISO 9001:2008 Standards.

Height :

2 3/8" (60mm)

Width:

3 1/2" (89mm)

Depth:

2" (51mm)

Max. Weight:

0.30 lb