

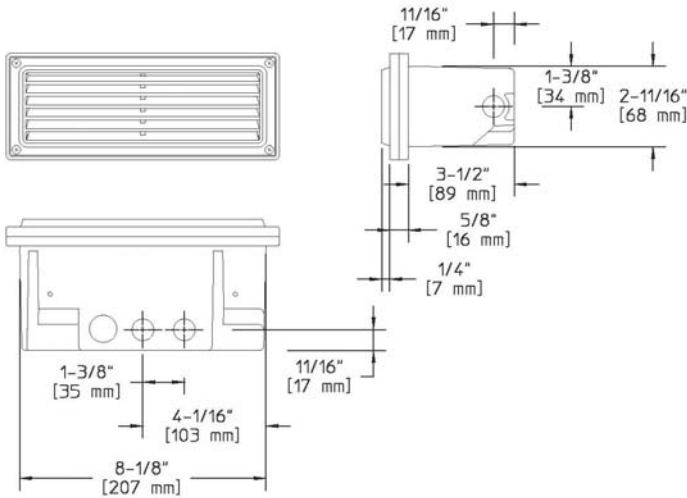
# LED Steplyte w/Warm Lens (RSC2) Specification Sheet

Project Name:	Location:	MFG: Philips Hadco
Fixture Type:	Catalog No.:	Qty:

## Ordering Guide

Example: RSC2 A K5 D3 W E

Product Code	RSC2	LED Steplyte w/Warm Lens
<b>Finish</b>	A B H N	Black White Bronze Natural Bronze
<b>Optics</b>	K5	Symmetric Optics
<b>Wattage</b>	D3 D5	3 1W LEDs 5 1W LEDs
<b>Lens</b>	W	Amber glass lens
<b>Voltage</b>	E	120V



## Specifications

### HOUSING:

Cool external temperatures - all below 33°C - so the luminaire is cool to the touch, including the lens. Perfect for high pedestrian traffic and plant life applications. Exceeds European standard EN 563 both 1 second (85°C for composite, 80°C for glass) and 4 seconds (74°C for composite, 70°C for glass) of contact. Die-cast copper-free aluminum with 45° cutoff, with frosted tempered glass. Cast bronze louver is natural cast bronze with frosted tempered glass. Die-cast aluminum trim ring contains less than 0.3% copper to resist corrosion. Cast bronze fixture has polycarbonate, color impregnated, dark bronze finish. Die-cast aluminum back box contains less than 0.3% copper to prevent corrosion in concrete or masonry applications. Gasketing is silicone. Fasteners are 300 series stainless steel. Note: Recessed housing contains four (4) 1/2" NPS conduit inlets (two (2) on bottom and one on each side) and internal pull-through wiring compartment.

### FINISH:

Zinc-rich primer and thermoset powdercoat for durability. Thermoset polyester powdercoat is electrostatically applied after a five-stage conversion cleaning process and bonded by heat fusion thermosetting. Laboratory tested for superior weatherability and fade resistance in accordance with ASTM B117 specifications.

### OPTICAL ASSEMBLY:

Warm (3000K), amber-colored tempered glass lens. The cast louver offers lower light levels with cut-off for lighting stairways or general lighting where shielding of the light source is more important than high light levels. Reflector is formed from highly reflective aluminum.

### LAMPING:

White high brightness (HB) LEDs. Deliver 70% lumen maintenance at 50,000 hours. Cool white (5500K nominal).

### ELECTRICAL ASSEMBLY:

Powered by Advance™: Integral Advance™ electronic LED driver. UL class2. -40°C/F minimum starting temperature. Pre-wired with high temperature 18 AWG wire. Input voltage range (VAC): 108-132. Input frequency: 60Hz. Integral surge protector built into LED driver circuit. 4 total watts (3) 1W LEDs, 6 total watts (5) 1W LEDs.

### WARRANTY:

Five-year limited warranty.

### CERTIFICATIONS:

ETL listed to U.S. safety standards for wet locations. cETL listed to Canadian safety standards for wet locations. Manufactured to ISO 9001:2008 Standards. ADA Compliant when used in indoor and outdoor wall applications.

### Height :

3 1/2" (90mm)

### Width:

9" (229mm)

### Depth:

3 1/2" (90mm)

### Max. Weight:

3.64 lb.