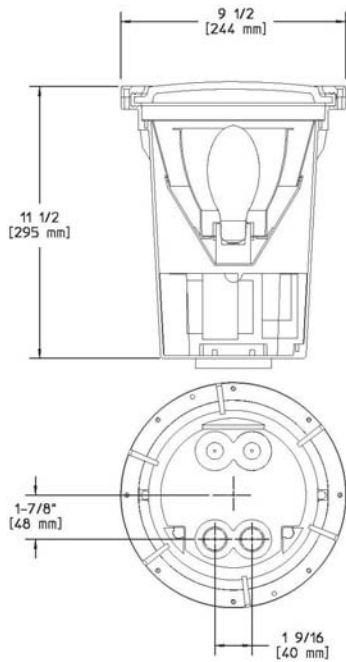


# LED Composite Inground (I3) Specification Sheet

Project Name:	Location:	MFG: Philips Hadco
Fixture Type:	Catalog No.:	Qty:



## Ordering Guide

Example: I3 G N LED7 NF W

<b>Product Code</b>	I3	LED Composite Inground
<b>Rock Guard</b>	G	Rock Guard *1
<b>Finish</b>	N H SS	Natural Brass Bronze Stainless steel (MATTE FINISH)
<b>Source/Lumens</b>	LED7	7W LED
<b>Optics</b>	NF	Narrow Flood
<b>CCT</b>	W C	Warm Cool

\*1 Rock guard is optional and available in bronze and natural brass only.  
\*2 Fixture will be shipped with lamp installed. Lamp not sold separately.

## Specifications

### HOUSING:

Single-piece compression molded fiberglass reinforced polyester composite, factory pressure tested to ensure water will not wick or leak through. Trim ring is a compression molded polyester. Rock guard used for directional glare control made of compression molded polyester. Single-piece molded silicone U-channel gasket.

### FINISH:

Composite is textured, pressure formed, molded-in-color.

### OPTICAL ASSEMBLY:

Clear convex, tempered soda-lime glass for high impact resistance. 2,200-pound live-load rated, standard walk-over lens. Lamps have 15° articulation either side of vertical and 358° rotation without interruption of beam pattern.

### LAMPING:

7W lamp with 25° beam spread, 30,000 hours life. Color temperature (CCT): cool white (4,000K nominal) or warm white (2,700K nominal). No Mercury.

### ELECTRICAL ASSEMBLY:

4kv rated porcelain mini-can base. Nickel-plated screw shell with center contact.

### WARRANTY:

Ten-year limited warranty.

### CERTIFICATIONS:

ETL listed to U.S. safety standards for wet locations.

cETL listed to Canadian safety standards for wet locations.

Manufactured to ISO 9001:2008 Standards.

ADA Compliant when used in concrete and flush mounted with CP3 or CPS3.

IP67 rated to dust tight and sealed against direct jets of water and against prolonged effects of immersion.

### Height :

11 1/2" (295mm)

### Width:

9 5/8" (244mm)

# LED Composite Inground (I3) Specification Sheet

Project Name:	Location:	MFG: Philips Hadco
Fixture Type:	Catalog No.:	Qty:

**Max. Weight:**  
9.1 lb.