

Composite Bullyte (BUL16) Specification Sheet

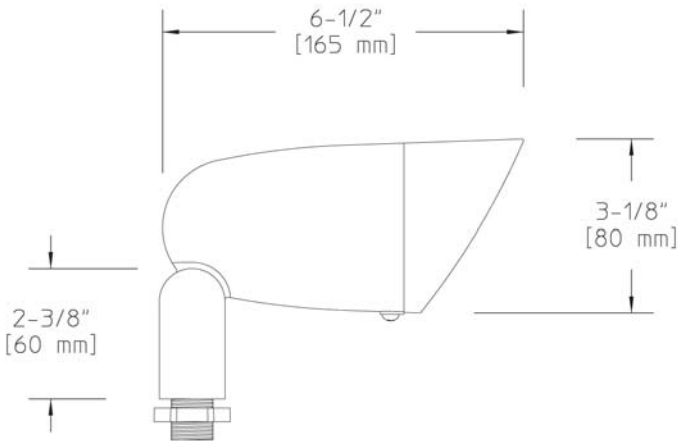
Project Name:	Location:	MFG: Philips Hadco
Fixture Type:	Catalog No.:	Qty:

Ordering Guide

Example: BUL16 A S7 BAB

Product Code	BUL16	Composite Bullyte	
Finish	A H G	Black Bronze Verde	
Mounting	S7	Mounting Stake	*1
Lamp	BAB	20W MR16	*1

*1 Optional
*2 US: 35 Watt / CAN: 20 Watt



Specifications

HOUSING:

One-piece injection molded ULTEM® High Performance Polymer composite. Fully rotatable shroud, gasketed, ULTEM® High Performance Polymer composite. Fully-adjustable swivel arm with vibration-proof locking teeth. 1/2" NPS male threads to screw onto accessory mounting stake or junction box, sold separately. Fasteners are 300 series stainless steel. Gasketing is silicone.

FINISH:

Composite is textured, pressure formed, molded-in-color.

OPTICAL ASSEMBLY:

Clear tempered glass affixed at 10° angle for natural cleaning.

LAMPING:

35W maximum MR16 bi-pin lamp. Lower wattage lamps are acceptable. Covered MR16 are recommended to protect lamps inner capsule.

ELECTRICAL ASSEMBLY:

Bi-pin socket type (GU5.3) with 250° C high temperature teflon coated wire leads. Stainless steel retention clip affixed to socket to securely hold lamp in place. The wires are permanently fused to the clip. Stainless Steel lamp clip is designed to prevent arching of bi-pin and also acts as a heat sync to keep heat away from the socket. Electrical internal connectors are stainless steel. 12 Volt fixture is pre-wired with 3-ft pigtail of 18-2 AWG, 105° C, SPT-1W wire. Low voltage quick connector, catalog #LVC3 included for easy hook-up to the low voltage supply cable, not included. 12 Volt system requires remote transformer, not included.

WARRANTY:

Ten-year limited warranty.

CERTIFICATIONS:

ETL listed to U.S. safety standards for wet locations. cETL listed to Canadian safety standards for wet locations. Manufactured to ISO 9001:2008 Standards.

Width:

2 1/8" (80mm)

Length:

6 1/2" (165mm)

Max. Weight:

1.16 lb