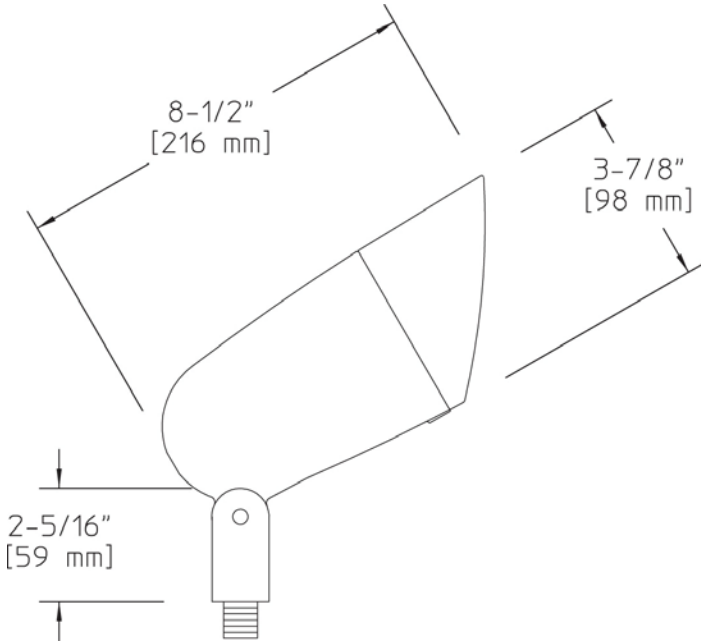


Composite Bullyte (BU1) Specification Sheet

Project Name:	Location:	MFG: Philips Hadco
Fixture Type:	Catalog No.:	Qty:



Ordering Guide

Example: BU1 A

Product Code	BU1	Composite Bullyte
Finish	A	Black
	H	Bronze
	G	Verde

*1 US and CAN: 50 Watt PAR 20, HID/INC.

*2 US: No directional issues. CAN: Horizontal position goes over temperature. Currently undergoing testing to see what lower wattage will pass.

Specifications

HOUSING:

Fully rotatable shroud, gasketed, ULTEM® High Performance Polymer composite. One-piece injection molded ULTEM® High Performance Polymer composite. Fully-adjustable swivel arm with vibration-proof locking teeth. Gasketing is silicone. Fasteners are 300 series stainless steel. 1/2" NPS male threads to screw onto accessory mounting stake or junction box, sold separately.

FINISH:

Composite is textured, pressure formed, molded-in-color.

OPTICAL ASSEMBLY:

Provided with optional shrouds only.

LAMPING:

50 Watt Maximum HID. 50W maximum PAR20/R20 medium base lamp. Lamp is not included. Lower wattage lamps are acceptable. (Note: If HID or R lamp is used, accessory shroud must also be used.)

ELECTRICAL ASSEMBLY:

4kv rated porcelain mini-can base. Nickel-plated screw shell with center contact.

BALLAST:

Must order inground (IBH) or above ground (ABH) ballast housing separately.

WARRANTY:

Ten-year limited warranty.

CERTIFICATIONS:

ETL listed to U.S. safety standards for wet locations. cETL listed to Canadian safety standards for wet locations. Manufactured to ISO 9001:2008 Standards.

Width:

3 7/8" (98mm)

Length:

8 1/2" (216mm)

Max. Weight:

.95 lb.