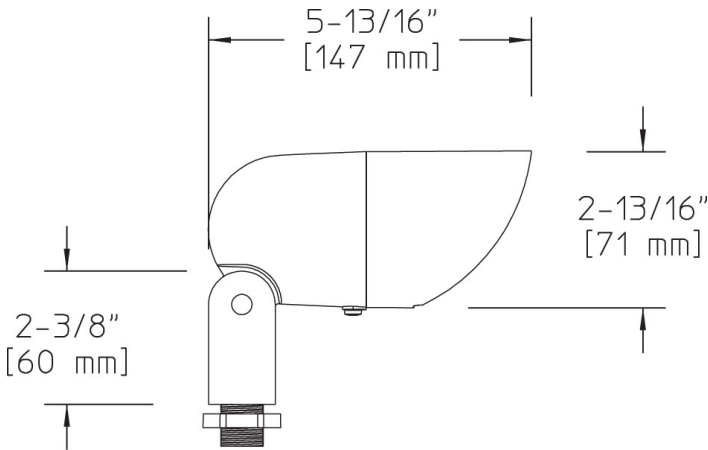


Aluminum Bullyte (BL5016) Specification Sheet

Project Name:	Location:	MFG: Philips Hadco
Fixture Type:	Catalog No.:	Qty:



Ordering Guide

Example: BL5016 A S7 BAB

Product Code	BL5016	Aluminum Bullyte
Finish	A G H	Black Verde Bronze
Mounting	S7	Mounting Stake
Lamp	BAB	20W MR16

Specifications

HOUSING:

Die-cast marine grade aluminum alloy. Fully-adjustable swivel arm with vibration-proof locking teeth. Fully rotatable shroud, double gasketed, die-cast marine grade alloy aluminum. 1/2" NPS male threads to screw onto accessory mounting stake or junction box, sold separately. Gasketing is silicone. Fasteners are 300 series stainless steel.

FINISH:

Thermoset polyester powdercoat is electrostatically applied after a five-stage conversion cleaning process and bonded by heat fusion thermosetting.

LAMPING:

50W maximum MR16 bi-pin lamp. Lower wattage lamps are acceptable. Covered MR16 are recommended to protect lamps inner capsule.

OPTICAL ASSEMBLY:

Clear tempered glass affixed at 10° angle for natural cleaning.

ELECTRICAL ASSEMBLY:

Bi-pin socket type (GU5.3) with 250° C high temperature teflon coated wire leads. Stainless steel retention clip affixed to socket to securely hold lamp in place. 12 Volt fixture is pre-wired with 3-ft pigtail of 18-2 AWG, 105° C, SPT-1W wire. Low voltage quick connector, catalog #LVC3 included for easy hook-up to the low voltage supply cable, not included. 12 Volt system requires remote transformer, not included.

WARRANTY:

Three-year limited warranty.

CERTIFICATIONS:

ETL listed to U.S. safety standards for wet locations. cETL listed to Canadian safety standards for wet locations. Manufactured to ISO 9001:2008 Standards.

Width:

2 13/16" (71mm)

Length:

5 13/16" (147 mm)

Max. Weight:

1.48 lb