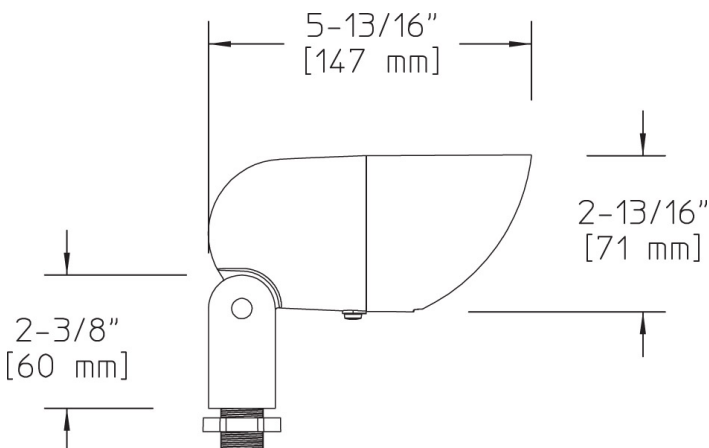


EnduraLED MR16 LED Bullyte (BL5016) Specification Sheet

Project Name:	Location:	MFG: Philips Hadco
Fixture Type:	Catalog No.:	Qty:



Ordering Guide

Example: BL5016 A S7 LED7 FL C

Product Code	BL5016	EnduraLED MR16 LED Bullyte
Finish	A G H T	Black Verde Bronze Speckled Stone
Mounting	S7	Mounting Stake
Source/Lumens	LED7 LED4	7W LED *3 4W LED *2
Optics	FL NF SP	Flood Narrow Flood Spot
CCT	C W	Cool 4000K Warm 2700K

*1 Lamp comes installed as integral part of fixture and can not be ordered separate.
 *2 4W LED only available in (W) warm CCT and (NF) narrow flood optics.
 *3 7W cool (4,000K) LED only available in (NF) narrow flood and (FL) flood optics.

Specifications

HOUSING:

Die-cast marine grade aluminum alloy. Fully-adjustable swivel arm with vibration-proof locking teeth. Fully rotatable shroud, double gasketed, die-cast marine grade alloy aluminum. 1/2" NPS male threads to screw onto accessory mounting stake or junction box, sold separately. Gasketing is silicone. Fasteners are 300 series stainless steel.

FINISH:

Thermoset polyester powdercoat is electrostatically applied after a five-stage conversion cleaning process and bonded by heat fusion thermosetting.

LAMPING:

7W lamp with 25° beam spread, 30,000 hours life. Color temperature (CCT): cool white (4,000K nominal) or warm white (2,700K nominal). No Mercury. 4W lamp with 24° beam spread, 30,000 hours life. Color temperature (CCT): warm white (2,700K nominal). No Mercury. 7W lamp with 15°, 24°, or 36° beam spread. Features active cooling technology to disperse heat.

OPTICAL ASSEMBLY:

Clear tempered glass affixed at 10° angle for natural cleaning. 24° beam angle for a clearly defined beam spread.

ELECTRICAL ASSEMBLY:

Bi-pin socket type (GU5.3) with 250° C high temperature teflon coated wire leads. Stainless steel retention clip affixed to socket to securely hold lamp in place. 12 Volt fixture is pre-wired with 3-ft pigtail of 18-2 AWG, 105° C, SPT-1W wire. Low voltage quick connector, catalog #LVC3 included for easy hook-up to the low voltage supply cable, not included. 12 Volt system requires remote transformer, not included.

WARRANTY:

Five-year limited warranty.

CERTIFICATIONS:

ETL Listed to U.S. safety standards for wet locations. cETL listed to Canadian safety standards for wet locations. Manufactured to ISO 9001:2008 Standards.

Width:

2 13/16" (71mm)

Length:

5 13/16" (147 mm)

Max. Weight:

1.48 lb