

ELI-S-100

100 W SINE WAVE EMERGENCY LIGHTING INVERTER

With Dimming Capabilities

PHILIPS bodine

A Division Of Philips Electronics North America Corporation

Two Models:

ELI-S-100-120V

ELI-S-100-277V

UL Listed/CSA Certified

Factory or Field Installation
(Indoor and Damp)



NRTL/C

Maximum Load Power (including AC ballast/driver)

100 W

Warranty

5 Years Full Coverage (not including battery)
3 Year Battery warranty, plus 7 years additional pro-rating

Illumination Time

90 Minutes

ELI-S-100-120V

AC Input Voltage

120 VAC, 60 Hz

AC Input Current

370 mA Max Charging

Output Voltage

120 VAC, 60 Hz

ELI-S-100-277V

AC Input Voltage

277 VAC, 60 Hz

AC Input Current

160 mA Max Charging

Output Voltage

277 VAC, 60 Hz

ELI-S-100-120V / ELI-S-100-277V

AC Input Power Rating

45 W Max Charging

Test Switch

2W-ITS

Battery

Maintenance-Free Sealed Lead Acid Battery

Recharge Time

24 Hours

Charging Indicator Light

LED

Temperature Rating (Ambient)

32° F to 104° F (0° C to 40° C)

Dimensions

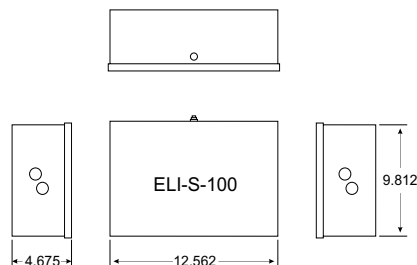
12.562" x 9.812" x 4.675"
(319 mm x 249 mm x 119 mm)

Weight

25 lbs. With Batteries installed

Special Features

Fused Output Load Connections



APPLICATION

The Philips Bodine ELI-S-100 Emergency Lighting Inverter works in conjunction with a fluorescent or LED fixture to create an emergency lighting system. The ELI-S-100 operates a maximum load of 100 W at unity power factor. It allows the connected fixture(s) to be on, off, switched or dimmed without affecting emergency operation. Each unit consists of two sealed lead acid batteries, charger and electronic circuitry in one steel case. The ELI-S-100 provides power to the input side of the fixture, including AC ballast/driver, and can be used with indoor or outdoor emergency fixture applications. The ELI-S-100 is not suitable for use with HID sources.

OPERATION

Upon failure of normal power, the ELI-S-100 instantly begins providing emergency power to the connected lighting load for a minimum of 90 minutes. A solid-state low voltage disconnect circuit protects the inverter battery from severe damage by deep discharge during prolonged power failures. When normal power is restored, the ELI-S-100 automatically returns to charge mode. The battery capacity is fully restored in 24 hours. Isolated dry-contact relays (2 each) are also provided to override local dimming controls used in normal mode, when luminaires are driven from AC power mains.

DIMMING

The ELI-S-100 features a dimming control output of 0-10 volts. This dimming capability allows a higher power fixture to operate at a dimmed 100 W maximum emergency-mode lighting level - or, alternately, it allows a string of multiple fixtures to be driven in emergency mode at a combined 100 W maximum. For example, five 100 W LED fixtures may be connected to one ELI-S-100 and dimmed for emergency operation to 20% of normal power, with each LED fixture consuming 20 W max of power. The emergency mode output dimming voltage is field settable in 5 steps to provide nominally 20%, 40%, 60%, 80%, or 100% light output. The installer will set the dimming level by operating the dip switches which are located at the lower center section of the circuit board. See illustrations on page 2.

INSTALLATION

The ELI-S-100 does not affect normal fixture operation and may be used with a switched or unswitched fixture. It can be installed in close proximity to the fixture or remote from the fixture (up to 250 feet).

UL, CSA AND CODE COMPLIANCE

The ELI-S-100 has been tested by Underwriters Laboratories in accordance with the standards set forth in UL 924, "Emergency Lighting and Power Equipment," and by the Canadian Standards Association (CSA) in accordance with the standards set forth in C22.2 No. 141, "Unit Equipment for Emergency Lighting." The ELI-S-100 is UL Listed and CSA Certified for factory or field installation. Emergency illumination time exceeds the National Electrical Code (NEC), Life Safety Code (NFPA-LSC), National Building Code of Canada (NBC), National Fire Code of Canada (NFC) and UL 90-minute requirements.

Specifiers Reference

Project _____ Type _____ Model No. _____

Comments _____

L2300216

10/28/13 © Philips Emergency Lighting
P.O. Box 460 Collierville, TN USA 38027-0460
Sales 800-223-5728 FAX 901-853-5009
Tech. Support 888-263-4638
www.philips.com/bodine

ELI-S-100

100 W SINE WAVE EMERGENCY LIGHTING INVERTER

With Dimming Capabilities

EMERGENCY ILLUMINATION

The ELI-S-100 supports emergency illumination for a minimum of 90 minutes. At a maximum of 100 W the ELI-S-100 will provide input power to ballasted lamp supporting 100% of the AC rated output throughout the 90-minute emergency illumination period.

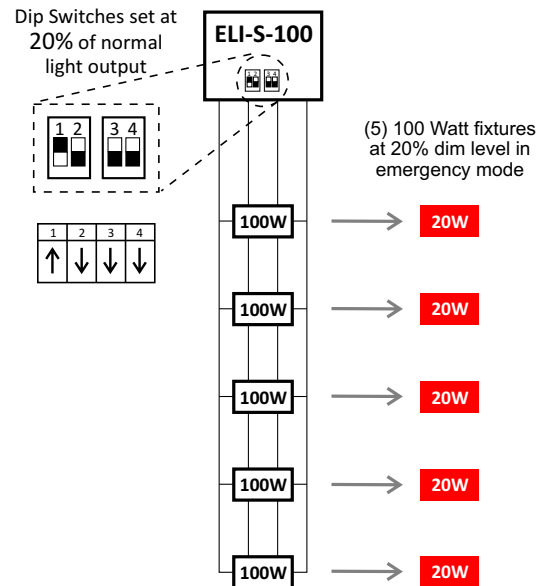
SPECIFICATION

Emergency lighting shall be provided by using a standard fixture equipped with a Philips Bodine ELI-S-100. Each unit consists of two maintenance free sealed lead acid batteries, charger and electronic circuitry contained in one 12.562" x 9.812" x 4.675" metal case. The ELI-S-100 unit shall be capable of powering any fluorescent or LED lighting fixture rated at a maximum of 100 W at 0°C to 40°C for a minimum 90 minutes regardless of local switch position. The ELI-S-100 shall allow the connected fixture(s) to be on, off, switched or dimmed without affecting emergency operation. The ELI-S-100 unit shall exceed emergency standards set forth by the current NEC and CEC. It shall be UL Listed and CSA certified, suitable for damp locations and warranted for a full five years from date of purchase.

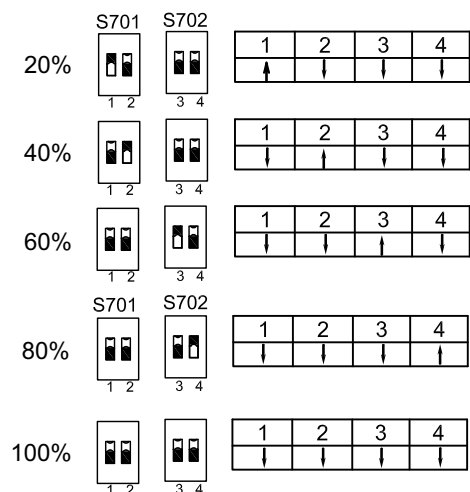
WARRANTY

The ELI-S-100 is warranted for five (5) years from the date of purchase. This warranty excludes the batteries, which have a warranty of three (3) years with an additional seven (7) year pro-rated warranty. This warranty covers only properly installed Philips Bodine ELI-S-100 emergency units used under normal conditions. For the warranty period, Philips Emergency Lighting will, at its option, repair or replace without charge a defective inverter provided it is returned to the factory transportation prepaid on inspection will be conducted to determine if the unit is defective under the terms of the warranty. Repair or replacement, as stated above, shall constitute the purchaser's exclusive warranty, which does not extend to transportation, installation, labor or any other charges; nor does it apply to any equipment of another manufacturer used in conjunction with the inverter.

General example of dimming operation:



Dimming level switch settings:



L2300216

10/28/13 © Philips Emergency Lighting
P.O. Box 460 Collierville, TN USA 38027-0460
Sales 800-223-5728 FAX 901-853-5009
Tech. Support 888-263-4638
www.philips.com/bodine

For the most current technical information and notices, please visit TechNotes on our website.