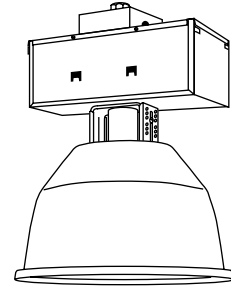


JOB NAME _____
 TYPE _____

EHO OPEN HIGH BAY ALUMINUM REFLECTORS

250-400 watt Metal Halide
 250-400 watt High Pressure Sodium
 250-400 watt Pulse Start Metal Halide

The EHO Open High Bay, with its open, spun aluminum reflector, is the choice for use in retail, educational and industrial applications requiring an efficient, yet economical luminaire.



ORDERING MATRIX

SAMPLE CATALOG NUMBER: EHO400PMT-PSC AL15

EHO					
BALLAST ASSEMBLY EHO		LAMP SOURCE M - Metal Halide S - High Pressure Sodium P - Pulse Start Metal Halide (Ballast option must also be specified)		OPTIONS (add as suffix) CUL - UL Listing to meet CSA standards OR - Open Rated Socket PSC - Pulse Start CWA Ballast Q - Quartz Standby QEM - Quartz Emergency ⁴⁰ QTD - Quartz Time Delay WDF - Wired Double Fuse ⁴⁵ WSF - Wired Single Fuse ⁴⁶ HL - HI/LO Ballast ⁴⁶ 65 - 65°C Ambient (400W MH, Multi-tap only)	OPTICAL AL15 - Open 15" Aluminum Reflector A16 - Open 16" Aluminum Reflector
	WATTAGE 250 - 250 320 - 320 ³⁰ 350 - 350 ³⁰ 400 - 400		VOLTAGE 12 - 120 20 - 208 24 - 240 27 - 277 34 - 347 48 - 480 MT - 120/208 240/277 TT - 120/277 347		

ACCESSORIES (ORDER SEPARATELY)

- 15BE - Flat Tempered 15" Glass Bottom Enclosure
 - 16/17BE - Flat Tempered 16" Glass Bottom Enclosure
 - CH - Cover Half for Power Hook (use with PB)
 - PB - Power Box for Power Hook (use with CH)
 - HP12 - Hook-Cord-Plug Assembly 120V
 - HP25 - Hook-Cord-Plug Assembly 208-240V
 - HP27 - Hook-Cord-Plug Assembly 277V
 - HP48 - Hook-Cord-Plug Assembly 480V
 - EHMR - Suspension Hook Male
 - LMR - Suspension Loop Male
 - SCB3 - Ballast Retainer Chain 3'
 - WGN16/17 - Wire Guard 16"
- (Refer to Section 18000 for additional accessories.)

Footnotes:

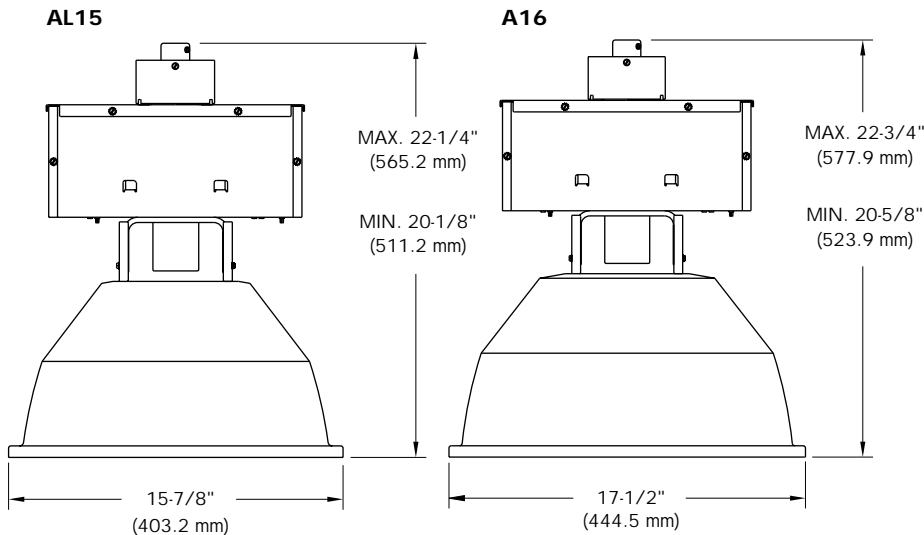
- ³⁰Pulse Start Metal Halide Only.
- ⁴⁰Requires 120 volt secondary power supply.
- ⁴⁵Use with 208, 240, and 480 volt.
- ⁴⁶Use with 120, 277, and 347 volt.
- ⁴⁶Must specify voltage.

General Notes:

All accessories are field installed.
 Mogul base lamp only.
 All options factory installed.

Warning: Many Metal Halide lamps are rated for enclosed fixtures only. Some lamps are specifically rated for open fixtures and require an open rated socket (option code-"OR"). Refer to and follow the lamp manufacturer's warnings and instructions.

DIMENSIONS



ENERGY DATA

HIGH PRESSURE SODIUM

CWA BALLAST INPUT WATTS
 250 watt-295 watts
 310 watt-365 watts
 400 watt-464 watts

METAL HALIDE

CWA BALLAST INPUT WATTS
 250 watt-295 watts
 320 watt-368 watts
 350 watt-400 watts
 400 watt-458 watts

EHO 400W MH AL15/POSITION 3																	
MEDIUM SPREAD S/MH = 1.4 TEST NO. 20152																	
DISTRIBUTION CURVE				COEFFICIENTS OF UTILIZATION				AVERAGE BRIGHTNESS				ZONAL SUMMARY		CANDLEPOWER			
	EFFECTIVE FLOOR CAVITY REFLECTANCE 20 PER (pfc=0.20)																
	CEIL 80 70 50 30 10																
	WALL 70 50 30 10 70 50 30 10 50 30 10 50 30 10 50 30 10																
	RCR																
	0	92	92	92	90	90	90	86	86	86	82	82	82	78	78	78	
	1	86	83	80	77	84	81	78	76	77	75	73	74	73	71	71	
	2	79	73	69	65	77	72	67	64	69	65	62	66	63	61	61	
	3	72	65	59	55	70	64	58	54	61	57	53	59	55	52	57	
	4	66	58	51	47	64	57	51	46	54	49	45	53	48	45	51	
	5	61	51	45	40	59	51	44	40	49	43	39	47	42	39	46	
6	56	46	40	35	55	45	39	35	44	38	34	43	38	34	41		
7	52	42	35	31	50	41	35	30	40	34	30	39	34	30	37		
8	48	38	31	27	47	37	31	27	36	31	27	35	30	27	34		
9	45	35	28	24	44	34	28	24	33	28	24	32	27	24	31		
10	42	32	26	22	41	31	26	22	31	25	22	30	25	21	29		
ZONE				END				45				CROSS					
45				112595				115075				112768					
55				121527				133485				126451					
65				27894				24220				22954					
75				10167				8540				8201					
85				5334				4529				5535					
Degrees		Lumens		% Lamp		% Fixture		Angle		Avg. Candela		Angle		Avg. Candela			
(0-30)		9049		22.6		29.1		0		9028		95		29			
(0-40)		14493		36.2		46.7		5		9158		105		28			
(0-60)		28608		71.5		92.1		15		10561		115		28			
(0-90)		30595		76.5		98.5		25		11172		125		29			
(90-180)		453		1.1		1.5		35		8480		135		37			
(0-180)		31048		77.6		100.0		45		9148		145		134			
COMPARATIVE YEARLY LIGHTING ENERGY COST PER 1000 LUMENS = \$3.53 BASED ON 3000 HRS. AND \$.08 PER KWH. LER=68										55		8315		155		254	
										65		1206		165		10	
										75		265		175		10	
										85		51					
These photometric results were obtained in the Day-Brite Lighting Laboratory which is NVLAP accredited by the National Institute of Standards and Technology.																	

ADDITIONAL TEST NUMBERS

AL15 400 WATT		METAL HALIDE	
SOCKET	S/MH	TEST NUMBER	
POSITION 1	0.9	20154	
POSITION 2	1.2	20153	
POSITION 3	1.5	20152	
POSITION 4	1.8	20151	
POSITION 5	1.7	20150	

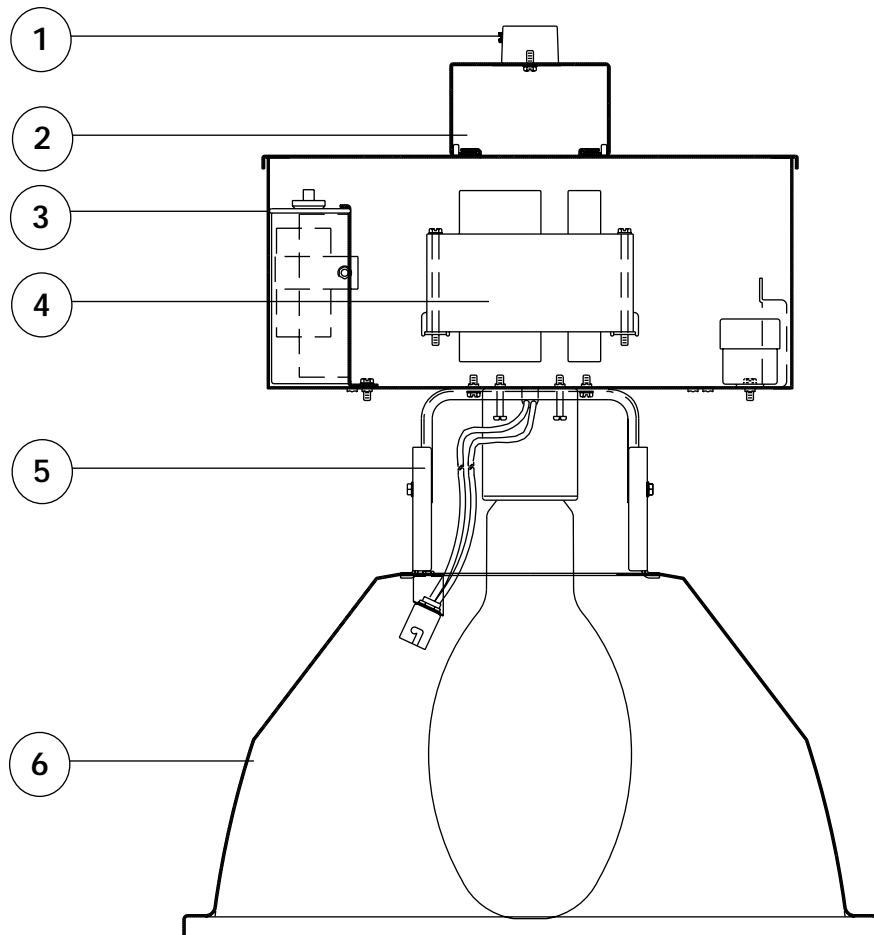
A16 400 WATT		METAL HALIDE	
SOCKET	S/MH	TEST NUMBER	
POSITION 1	1.0	18589	
POSITION 2	1.2	18588	
POSITION 3	1.3	18587	
POSITION 4	1.7	18586	
POSITION 5	1.7	18585	

A16-16/17BE 250 WATT		METAL HALIDE	
SOCKET	S/MH	TEST NUMBER	
POSITION 1	0.7	18642	
POSITION 2	0.9	18641	
POSITION 3	1.2	18640	
POSITION 4	1.8	18639	
POSITION 5	2.0	18638	

PRODUCT FEATURES

UL 1598 Listed suitable for damp location and 55°C ambient for all lamp wattages listed.

1. Die cast 3/4" hub for easy, positive mounting.
2. Mounting/wiring box with 1/2" and 3/4" concentric knockouts for thru-wire conduit connections.
3. Die formed steel housing with white polyester powder finish.
4. Ballast has high temperature class H insulation and a minimum starting temperature of -40°C (-40°F) for HPS and Pulse Start MH or -30°C (-20°F) for MH.
5. Heavy gauge yoke provides positive mounting of reflector to ballast assembly and field adjustable light distribution patterns.
6. Precision spun heavy gauge aluminum reflector with clear anodized finish.



Visit our web site at www.daybritelighting.com

776 South Green Street Tupelo, MS 38804 Phone: 662-842-7212 Fax: 662-841-5501

HB-10160

189 Bullock Drive Markham, Ontario Canada L3P 1W4 Phone: 905-294-9570 Fax: 905-294-8911
 Day-Brite Lighting reserves the right to make changes without notice. ©September 2001. DL2.5M0901
 Day-Brite Lighting is a Genlyte Thomas Group.

