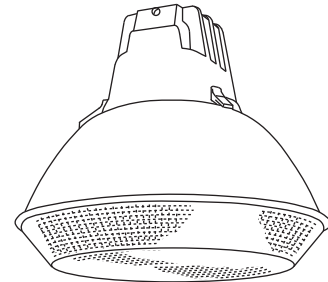


JOB NAME _____
 TYPE _____

LBN LOW BAY LUMINAIRE

150-400 watt Metal Halide
 150-400 watt High Pressure Sodium
 150-450 watt Pulse Start Metal Halide

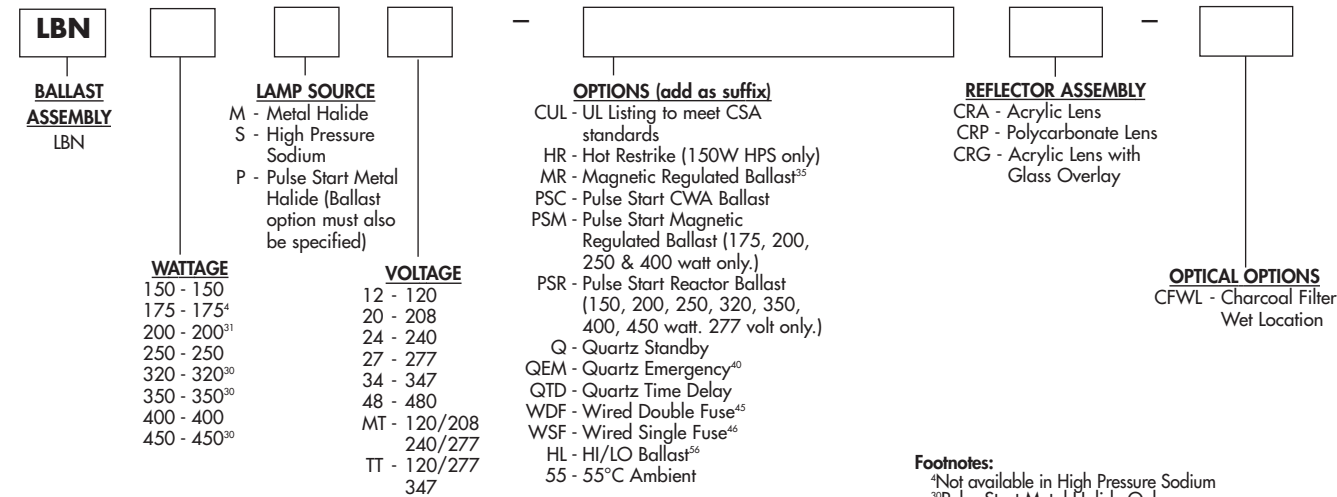


The LBN Low Bay Luminaire offers the high efficiency general purpose industrial lighting for mounting height requirements of 30' and below.

Day-Brite® Lighting

ORDERING MATRIX

SAMPLE CATALOG NUMBER: LBN400PMT-PSC CRA



ACCESSORIES (ORDER SEPARATELY)

- CH - Cover Half for Power Hook (use with PB)
 - PB - Power Box for Power Hook (use with CH)
 - HP12 - Hook-Cord-Plug Assembly 120V
 - HP25 - Hook-Cord-Plug Assembly 208-240V
 - HP27 - Hook-Cord-Plug Assembly 277V
 - HP48 - Hook-Cord-Plug Assembly 480V
 - HMR - Suspension Hook Male
 - LMR - Suspension Loop Male
 - SCB3 - Ballast Retainer Chain 3'
 - SCOP - Optical Retainer Chain
 - WGBRA/CRA - Wire Guard
- (Refer to Section 18000 for additional accessories.)

Footnotes:

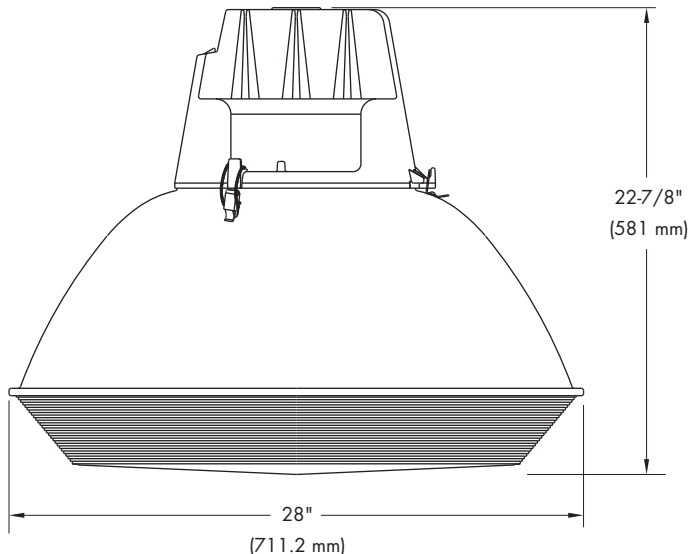
- ⁴Not available in High Pressure Sodium
- ³⁰Pulse Start Metal Halide Only.
- ³¹Not available in standard Metal Halide.
- ³⁵Available 150 - 400W High Pressure Sodium.
- ⁴⁰Requires 120 volt secondary power supply.
- ⁴⁵Use with 208, 240, and 480 volt.
- ⁴⁶Use with 120, 277, and 347 volt.
- ⁵⁶Must specify voltage.

General Notes:

All accessories are field installed.
 Mogul base lamp only.
 All options factory installed.

Warning: Refer to and follow the lamp manufacturer's warnings and instructions.

DIMENSIONS



ENERGY DATA

HIGH PRESSURE SODIUM

HX BALLAST INPUT WATTS

150 watt-188 watts

CWA BALLAST INPUT WATTS

200 watt-240 watts

250 watt-295 watts

310 watt-365 watts

400 watt-464 watts

METAL HALIDE

HX BALLAST INPUT WATTS

150 watt-185 watts

CWA BALLAST INPUT WATTS

150 watt-189 watts

175 watt-210 watts

200 watt-232 watts

250 watt-295 watts

320 watt-368 watts

350 watt-400 watts

400 watt-458 watts

450 watt-508 watts

LBN-LOW BAY LUMINAIRE LB-11042.1

LBN 400W MH CRA																																					
WIDE SPREAD S/MH = 2.0																																					
TEST NO. 17309																																					
DISTRIBUTION CURVE				COEFFICIENTS OF UTILIZATION				AVERAGE BRIGHTNESS				ZONAL SUMMARY				CANDLEPOWER																					
				EFFECTIVE FLOOR CAVITY REFLECTANCE 20 PER (pfc=0.20)										ZONE		END		45		CROSS		Degrees		Lumens		% Lamp		% Fixture		Angle		Avg. Candela		Angle		Avg. Candela	
				CEIL 80 70 50 30 10										45		20909		19898		21408		(0-30)		6206		15.5		18.6		0		6192		95		635	
				WALL 70 50 30 10 70 50 30 10 50 30 10 50 30 10 50 30 10										55		19546		18317		18377		(0-40)		11529		28.8		34.6		5		6314		105		362	
				RCR										65		14310		12634		14125		(0-60)		24322		60.8		72.9		15		6906		115		227	
				0										75		10180		8803		10171		(0-90)		31838		79.6		95.4		25		7671		125		208	
				1										85		8292		6576		8364		(90-180)		1522		3.8		4.6		35		8469		135		14	
				2																(0-180)		33360		83.4		100.0		45		8767		145		0			
				3																								55		6855		155		0			
				4																								65		4063		165		0			
				5																								75		2131		175		0			
6																								85		1042											
7																																					
8																																					
9																																					
10																																					

COMPARATIVE YEARLY LIGHTING ENERGY COST PER 1000 LUMENS = \$3.29 BASED ON 3000 HRS. AND \$.08 PER KWH. LER=73

These photometric results were obtained in the Day-Brite Lighting Laboratory which is NVLAP accredited by the National Institute of Standards and Technology.

ADDITIONAL TEST NUMBERS

DESCRIPTION	S/MH	TEST NUMBER
LBN250M-CRA	1.7	17337
LBN400S-CRA	1.8	17310
LBN250S-CRA	1.8	17310-1P

PRODUCT FEATURES

UL 1598 Listed suitable for wet location and 40°C ambient for all lamp wattages listed.

- 3/4" threaded cast aluminum nut and hub for easy, positive mounting.
- Heavy wall, one piece die cast aluminum housing with white polyester powder finish.
- Day-Brite "Slant 2" ballast mounting for cooler operation. Ballast has high temperature class H insulation and a minimum starting temperature of -40°C (-40°F) for HPS and Pulse Start MH or -30°C (-20°F) for MH.
- Corrosion resistant stainless steel latches.
- Precision spun heavy gauge aluminum reflector coated inside and out with highly reflective (90-92%) white polyester powder finish.
- One piece injection molded lens; 3/16" minimum thickness of 100% virgin acrylic for excellent brightness control and high efficiency. UL Listed for Metal Halide arc tube containment.
- Large wiring access with captive retainer screw.
- Glass overlay (CRG only).

