

Energy Advantage CDM AllStart E-Rated

145W ED17 CO U EA AllStart

Philips Energy Advantage CDM AllStart E-rated lamps provide energy savings without compromising light quality.



Product data

• General Characteristics

Base	Medium [Single Contact Medium Screw]
Bulb	ED17
Bulb Finish	Coated
Operating Position	Universal [Any or Universal (U)]
RatedAvgLife(See Family Notes)	20000 hr

• Light Technical Characteristics

Color Code	843 [CCT of 4300K]
Color Rendering Index	80 Ra8
Color Designation	4300 Kelvin
Color Temperature	4300 K
Color Temperature technical	4300 K
Chromaticity Coordinate X	0.354 (min), 0.370 (nom), 0.386 (max)
Chromaticity Coordinate Y	0.357 (min), 0.377 (nom), 0.397 (max)
Initial lumen	12300 Lm
Luminous Efficacy Lamp	85 Lm/W
Design Mean Lumens	9840 Lm
Lumen Maintenance - 40% life	80 %
Lumen Maintenance - 10% life	90 %

• Electrical Characteristics

Watts	145 W
Lamp Voltage	123 V
Lamp Current	1.45 A
Ignition Time	120 (max) s

Ignition Supply Voltage	283 V
Re-ignition Time [min]	12 (max) min

• Environmental Characteristics

Mercury (Hg) Content	42 (max) mg
Picogram per Lumen Hour	196.8 p/LuHr

• UV-related Characteristics

Damage Factor D/fc PET (NIOSH)	0.44 -
UV A	151.2 h500lx
UV B	16.12 mW/cm ²
UV C	0.06 mW/cm ²

• Luminaire Design Requirements

Cap-Base Temperature	136 C
Bulb Temperature	400 (max) C

• Product Dimensions

Diameter D	54 mm
Light Center Length L	83 (min), 86 (nom), 89 (max) mm
Maximum Overall Length [inch]	5.4 (max) in
Light Center Length L	3.4 in
Diameter D	2.125 in

PHILIPS
sense and simplicity

Energy Advantage CDM AllStart E-Rated

Product Data

Product number	413203
Full product name	145W ED17 CO U EA AllStart
Short product name	CDM145/C/U/M/4K/ED17 EA Allstart
Pieces per Sku	1
eop_pck_cfg	12

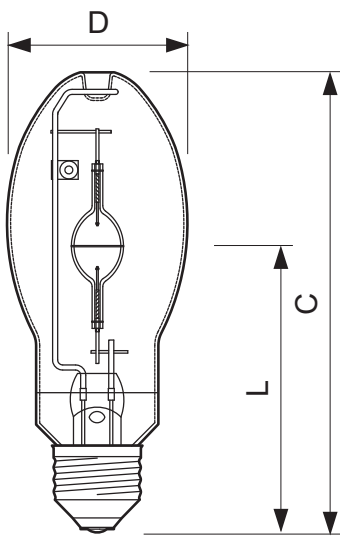
Skus/Case	12
Bar code on pack	46677413200
Bar code on case	50046677413205
Logistics code(s)	928601168701
eop_net_weight_pp	0.044 kg

Warnings and Safety

- R "WARNING: These lamps can cause serious skin burn and eye inflammation from short wave ultraviolet radiation if outer envelope of the lamp is broken or punctured. Do not use where people will

remain for more than a few minutes unless adequate shielding or other safety precautions are used. Certain lamps that will automatically extinguish when the outer envelope is broken or punctured are commercially available." This lamp complies with FDA radiation performance standard 21 CFR subchapter J. (USA:21 CFR 1040.30 Canada: SOR/DORS/80-381)

Dimensional drawing



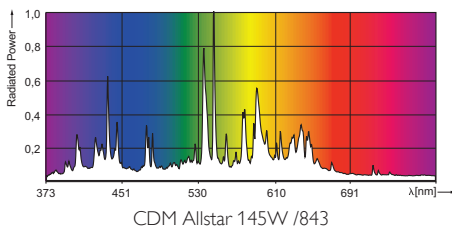
E26, ED-17

Product	C (Max)	D (Norm)	L (Norm)
CDMAllstar 145W/843 ED17 CO EA AllStart	5.4	2.125	3.4



E26

Photometric data





© 2012 Koninklijke Philips Electronics N.V.
All rights reserved.

Specifications are subject to change without notice. Trademarks are the property of Koninklijke Philips Electronics N.V. or their respective owners.

www.philips.com/lighting

2012, March 10
data subject to change