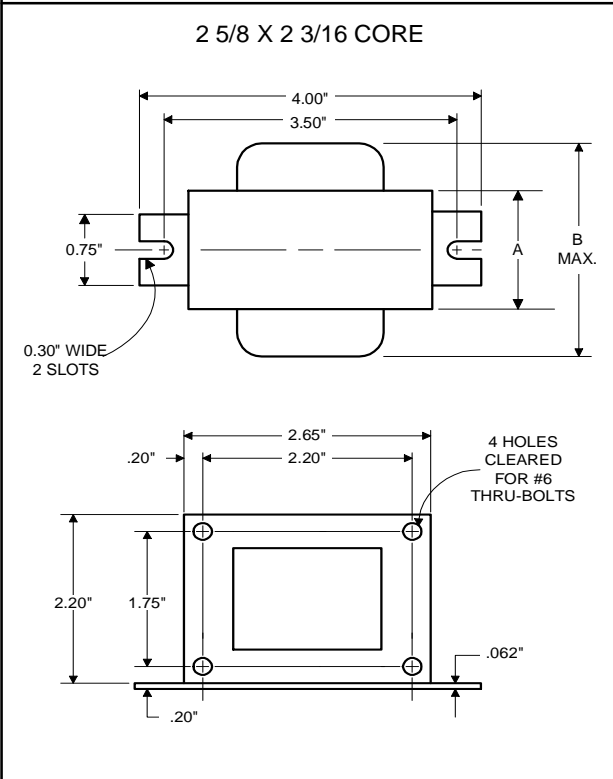




Metal  
Halide  
Lamp Ballast

Catalog Number 71A5037BP  
For 35/39W M130  
60 Hz R-HPF  
Status: Active

**DIMENSIONS AND DATA**



INPUT VOLTS	277				
CIRCUIT TYPE	R-HPF				
POWER FACTOR (min)	90%				
REGULATION					
Line Volts	±5%				
Lamp Watts	±10%				
LINE CURRENT (Amps)					
Operating.....	0.19				
Open Circuit.....	0.52				
Starting.....	0.30				
UL TEMPERATURE RATINGS					
Insulation Class	H(180°C)				
Coil Temperature Code	1029	A			
MIN. AMBIENT STARTING TEMP.	-20°F or -30°C				
NOM. OPEN CIRCUIT VOLTAGE	277				
INPUT VOLTAGE AT LAMP DROPOUT.....	190				
INPUT WATTS	48				
RECOMMENDED FUSE (Amps).....	2				
CORE and COIL					
Dimension (A)	0.95				
Dimension (B)	2.70				
Weight (lbs.)	1.9				
Lead Lengths	12"				
CAPACITOR REQUIREMENT					
Microfarads	5.0				
Volts (min.)	280				
Fault Current Withstand (amps)					
60 Hz TEST PROCEDURES (Refer to Advance Test Procedure for HID Ballasts - Form 1270)					
High Potential Test (Volts)					
1 minute	2000				
2 seconds	2500				
Open Circuit Voltage Test (Volts)	260-290				
Short-Circuit Current Test (Amps)					
Secondary Current	0.50-0.80				
Input Current.....	0.10-0.16	-	-	-	-

Capacitor: 7C050L30RA



Capacitance: 5  
Dia/Oval Dim: 1.25  
Height: 2.25  
Temp Rating: 105°C



Wiring Diagram:

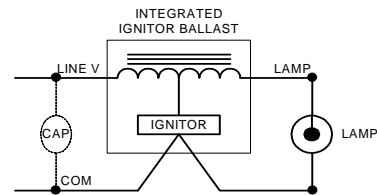


Fig. H

Ordering Information

Order Suffix	Description

Ignitor: INTEGRAL

An ignitor integral to the core and coil assembly is used to start the lamp.

Ballast to Lamp Distance (BTL) = 2 feet  
Temp Rating: 125°C

Data is based upon tests performed by Advance Transformer in a controlled environment and representative of relative performance. Actual performance can vary depending on operating conditions. Specifications are subject to change without notice.

**ADVANCE TRANSFORMER CO.**

O'HARE INTERNATIONAL CENTER · 10275 WEST HIGGINS ROAD · ROSEMONT, IL 60018  
Customer Support/Technical Service: Phone: 800-372-3331 · Fax: 847-768-7768  
Corporate Offices: Phone: 800-322-2086

07/31/09