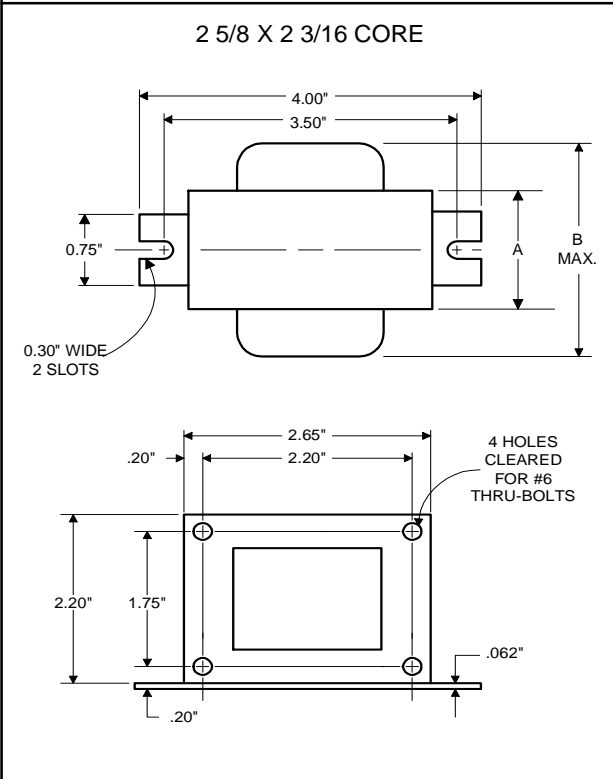




High Pressure
Sodium
Lamp Ballast

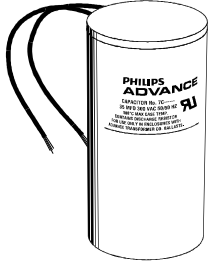
Catalog Number 71A7707B
For 35W S76
60 Hz R-HPF
Status: Active

DIMENSIONS AND DATA



INPUT VOLTS	120				
CIRCUIT TYPE	R-HPF				
POWER FACTOR (min)	90%				
REGULATION					
Line Volts	±5%				
Lamp Watts	WITHIN TRAPEZOID				
LINE CURRENT (Amps)					
Operating.....	0.38				
Open Circuit.....	0.65				
Starting.....	0.78				
UL TEMPERATURE RATINGS					
Insulation Class	H(180°C)				
Coil Temperature Code	1029				
MIN. AMBIENT STARTING TEMP.	-40°F or -40°C				
NOM. OPEN CIRCUIT VOLTAGE	120				
INPUT VOLTAGE AT LAMP DROPOUT.....	96				
INPUT WATTS	46				
RECOMMENDED FUSE (Amps).....	2				
CORE and COIL					
Dimension (A)	0.65				
Dimension (B)	2.20				
Weight (lbs.)	1.5				
Lead Lengths	12"				
CAPACITOR REQUIREMENT					
Microfarads	14.0				
Volts (min.)	120				
Fault Current Withstand (amps)					
60 Hz TEST PROCEDURES (Refer to Advance Test Procedure for HID Ballasts - Form 1270)					
High Potential Test (Volts)					
1 minute	2000				
2 seconds	2500				
Open Circuit Voltage Test (Volts)	114-126				
Short-Circuit Current Test (Amps)					
Secondary Current	0.90-1.40				
Input Current.....	0.45-0.65				

Capacitor: 7C140L12



Capacitance: 14
Dia/Oval Dim: 1.25
Height: 2.9
Temp Rating: 105°C

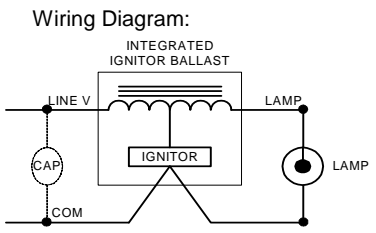


Fig. H

Ordering Information

Ignitor: INTEGRAL

An ignitor integral to the core and coil assembly is used to start the lamp.

Ballast to Lamp Distance (BTL) = 2 feet
Temp Rating: 125°C

Order Suffix	Description

Data is based upon tests performed by Advance Transformer in a controlled environment and representative of relative performance. Actual performance can vary depending on operating conditions. Specifications are subject to change without notice.