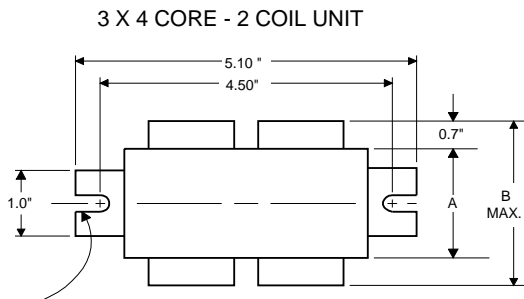


**PHILIPS
ADVANCE**

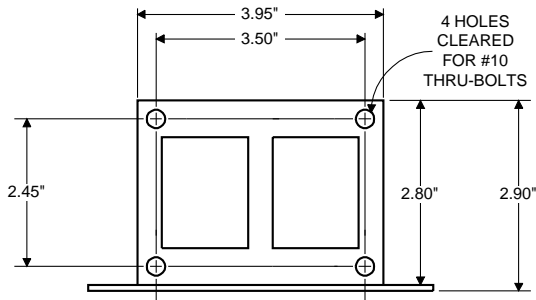
**Metal
Halide
Lamp Ballast**

**Catalog Number 71A5081
For 35/39W M130
60 Hz HX-HPF
Status: Active**

DIMENSIONS AND DATA

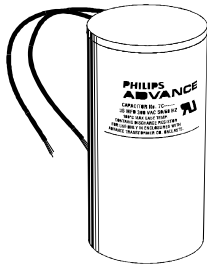


0.25" WIDE
2 SLOTS



INPUT VOLTS	120	277			
CIRCUIT TYPE	HX-HPF				
POWER FACTOR (min)	90%				
REGULATION					
Line Volts	±5%				
Lamp Watts	±10%				
LINE CURRENT (Amps)					
Operating.....	0.45	0.20			
Open Circuit.....	0.90	0.40			
Starting.....	0.50	0.22			
UL TEMPERATURE RATINGS					
Insulation Class	H(180°C)				
Coil Temperature Code	1029				
MIN. AMBIENT STARTING TEMP.	-20°F or -30°C				
NOM. OPEN CIRCUIT VOLTAGE	230				
INPUT VOLTAGE AT LAMP DROPOUT.....	85	195			
INPUT WATTS	56				
RECOMMENDED FUSE (Amps).....	3	1			
CORE and COIL					
Dimension (A)	0.80				
Dimension (B)	2.10				
Weight (lbs.)	3.5				
Lead Lengths	12"				
CAPACITOR REQUIREMENT					
Microfarads	5.0				
Volts (min.)	277				
Fault Current Withstand (amps)					
60 Hz TEST PROCEDURES (Refer to Philips Lighting Electronics N.A. TEST Procedure for HID Ballasts - Form 127 High Potential Test (Volts)					
1 minute	2000				
2 seconds	2500				
Open Circuit Voltage Test (Volts)	205-255				
Short-Circuit Current Test (Amps)	0.60-0.75				
Secondary Current					
Input Current.....	0.35-	0.15-	-	-	-
	0.55	0.25			

Capacitor: 7C050L30RA



Capacitance: 5
Dia/Oval Dim: 1.25
Height: 2.25
Temp Rating: 105°C



Wiring Diagram:

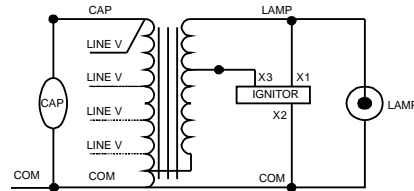


Fig. K

Ignitor: LI533-H4



Red (X1)
White (X2)
Blue (X3)

Ballast to Lamp Distance
(BTL) = 15 feet
Temp Rating: 105°C

Typical Ordering Information

(please call Philips Lighting Electronics N.A. for suffix availability)

Order Suffix	Description
--------------	-------------

Data is based upon tests performed by Philips Lighting Electronics N.A. in a controlled environment and is representative of relative performance. Actual performance can vary depending on operating conditions. Specifications are subject to change without notice.

PHILIPS LIGHTING ELECTRONICS N.A.

10275 WEST HIGGINS ROAD · ROSEMONT, IL 60018

Tel: 800-322-2086 · Fax: 888-423-1882 · www.philips.com/advance

Customer Support/Technical Service: 800-372-3331 · OEM Support: 866-915-5886

Revised: 07/31/09