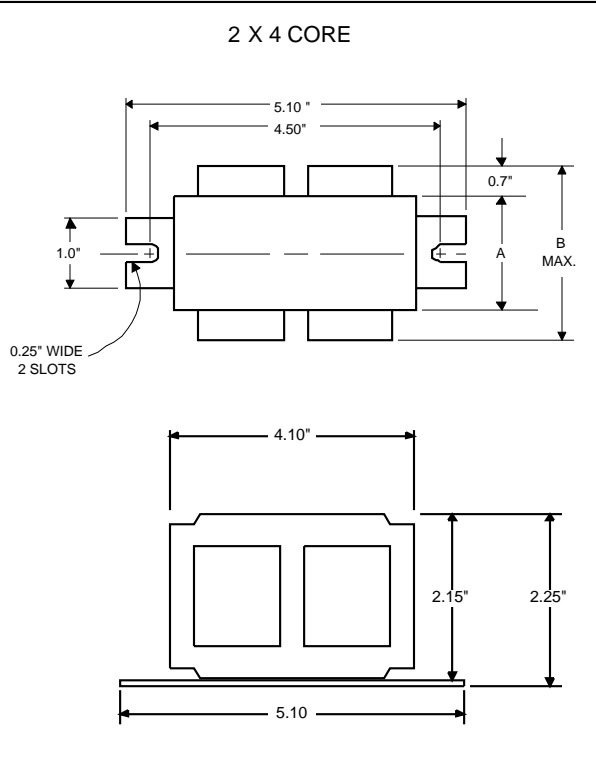




**Metal
Halide
Lamp Ballast**

**Catalog Number 71A5005P
For 35/39W M130
60 Hz HX-HPF
Status: Active**

DIMENSIONS AND DATA



INPUT VOLTS	120			
CIRCUIT TYPE	HX-HPF			
POWER FACTOR (min)	90%			
REGULATION				
Line Volts	±5%			
Lamp Watts	±10%			
LINE CURRENT (Amps)				
Operating.....	0.50			
Open Circuit.....	1.10			
Starting.....	0.45			
UL TEMPERATURE RATINGS				
Insulation Class	H(180°C)			
Coil Temperature Code	1029	A		
MIN. AMBIENT STARTING TEMP.	-20°F or -30°C			
NOM. OPEN CIRCUIT VOLTAGE	230			
INPUT VOLTAGE AT LAMP DROPOUT.....	100			
INPUT WATTS	55			
RECOMMENDED FUSE (Amps).....	3			
CORE and COIL				
Dimension (A)	0.83			
Dimension (B)	1.70			
Weight (lbs.)	2			
Lead Lengths	12"			
CAPACITOR REQUIREMENT				
Microfarads	28.0			
Volts (min.)	120			
Fault Current Withstand (amps)				
60 Hz TEST PROCEDURES (Refer to Advance Test Procedure for HID Ballasts - Form 1270)				
High Potential Test (Volts)				
1 minute	2000			
2 seconds	2500			
Open Circuit Voltage Test (Volts)	205-255			
Short-Circuit Current Test (Amps)				
Secondary Current	0.60-0.75			
Input Current.....	0.30	-	-	-
	0.50			

Capacitor: 7C280M12

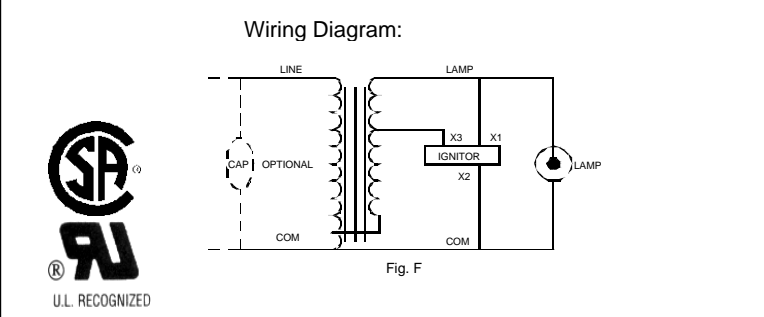


Capacitance: 28
Dia/Oval Dim: 1.5
Height: 2.9
Temp Rating: 105°C

Ignitor: LI533-H4



Ballast to Lamp Distance (BTL) = 15 feet
Temp Rating: 105°C



Typical Ordering Information
(please call Advance for suffix availability)

Order Suffix	Description
500D.	Ballast With Ignitor and Dry Film Capacitor
510D.	Ballast w/Welded Bracket, Ignitor, & Dry Film Capacitor
600.	Ballast and Ignitor, No Capacitor
610.	Ballast with Welded Bracket and Ignitor, No Capacitor

Data is based upon tests performed by Advance Transformer in a controlled environment and representative of relative performance. Actual performance can vary depending on operating conditions. Specifications are subject to change without notice.

ADVANCE

O'HARE INTERNATIONAL CENTER · 10275 WEST HIGGINS ROAD · ROSEMONT, IL 60018
Customer Support/Technical Service: Phone: 800-372-3331 · Fax: 630-307-3071
Corporate Offices: Phone: 800-322-2086

06/22/00