

60 Hz F-Can Ballasts, (Indoor, Outdoor Type I)

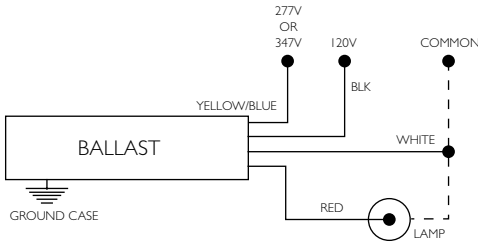
High Pressure Sodium

Input Voltage	Catalog Number	Circuit Type	Input Amps			Input Watts	Nom. Open Circuit Voltage	Fuse Rating Amps	Over-all Length	Case Length	Mtg. Dim.	Total Wt. (lbs)	Max. Ballast to Lamp Distance (ft)	Certifications	
			Operating	Starting	Open Circuit									UL	SP
50W Lamp, ANSI Code S68													SOUND RATING B		
120/277	72C7884-NP-001	HX-HPF	.7/3	.7/4	1.4/7	65	120	4/2	11.75	10.50	11.13	11.0	15	✓	✓
70W Lamp, ANSI Code S62													SOUND RATING B		
120/277	72C7984-NP	HX-HPF	.9/4	1.0/5	1.4/7	90	120	5/2	11.75	10.50	11.13	10.0	7	✓	✓
	72C7984-NP-001		.8/3	.9/3	1.4/5	94		4/2						✓	
120/347	72C79C4-NP													✓	
100W Lamp, ANSI Code S54													SOUND RATING B		
120/277	72C8084-NP	HX-HPF	1.1/5	1.5/7	1.9/8	125	120	6/3	11.75	10.50	11.13	11.0	15	✓	✓
	72C8084-NP-001														
150W Lamp, ANSI Code S55 (55V Arc Tube)													SOUND RATING B		
120/277	72C8185-NP	HX-HPF	1.7/7	2.6/1.2	2.2/1.0	185	120	8/4	14.30	13.13	13.75	14.0	5	✓	✓

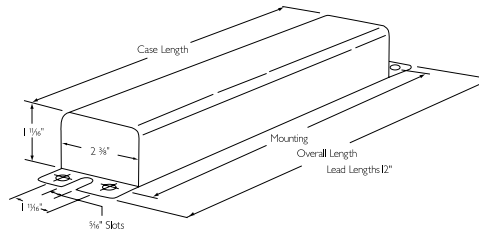
All Philips Advance dual-volt, F-can ballasts include auto-reset thermal protection for both taps.

Replacement ballasts in individual cartons indicated by bold type with suffix -001.

HID • F-Can

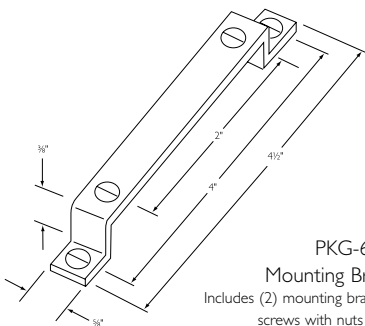


Wiring Diagram
All lead lengths 12"

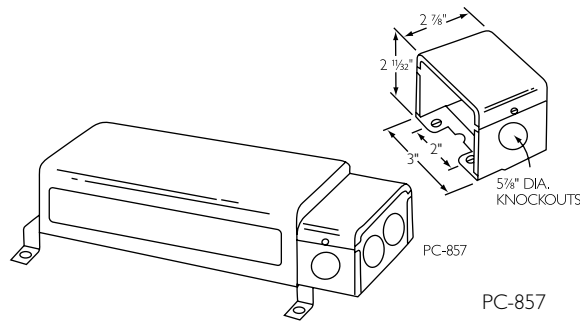


Dimensions

Accessories



PKG-625
Mounting Bracket Kit
Includes (2) mounting brackets and (4) #10-32 screws with nuts and washers.



PC-857
Wiring Compartment
For end mounting, includes (5) 7/8" dia. knockouts. May be used with or without PC-625 Mtg. Brkt. Kit