



# PL-S Short 2-Pin Base

PL-S ALTO 13W/841 GX23/2P 1CT

Philips Linear Compact Fluorescent Lamps offer designers, specifiers and end-users new levels of efficiencies and versatility in sizes, configurations and application possibilities. With so many elegant fixtures available to complement their small size, high light output and advanced technology, Philips Energy Advantage lamps are fast becoming the preferred choice when maximum efficiency and sleek design solutions are required.

## Product data

### • General Characteristics

Base	GX23 [Two-Pin Compact Fluorescent; high preheat current; four retainers]
Base Information	2P
Avg. Life	10000 hr
LSF EM 8000h Rated, 3h cycle	86 %
LSF EM 6000h Rated, 3h cycle	95 %
LSF EM 4000h Rated, 3h cycle	98 %
LSF EM 2000h Rated, 3h cycle	99 %

### • Light Technical Characteristics

Color Code	841 [CCT of 4100K]
Color Rendering Index	82 Ra8
Color Designation	Cool White
Color Temperature	4100 K
Chromaticity Coordinate X	381 -
Chromaticity Coordinate Y	379 -
LLMF EM 8000h Rated	86 %
LLMF EM 6000h Rated	89 %
LLMF EM 4000h Rated	91 %
LLMF EM 2000h Rated	94 %
Luminous Flux EM 25°C, Nominal	825 Lm
Design Temperature	28 C

### • Electrical Characteristics

Watts	13 W
Dimmable	No
Lamp Current EM 25°C	0.290 A
Lamp Wattage EM 25°C, Nominal	13 W
Lamp Voltage EM 25°C	56 V

### • Environmental Characteristics

Energy Efficiency Label (EEL)	B
Mercury (Hg) Content	1.4 mg

### • Product Dimensions

Base Face to Base Face A	139.5 (max) mm
Insertion Length B	155.2 (max) mm
Overall Length C	177.7 (max) mm
Diameter D	28 (max) mm
Diameter D1	13 (max) mm

### • Product Data

Product number	146852
Full product name	PL-S ALTO 13W/841 GX23/2P 1CT
Short product name	PL-S 13W/841/2P/ALTO 10PK
Pieces per Sku	1
eop_pck_cfg	10
Skus/Case	10
Bar code on pack	46677146856

# PHILIPS

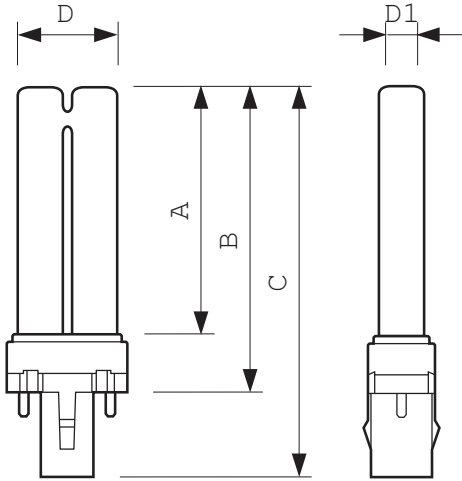
sense and simplicity

# PL-S Short 2-Pin Base

Bar code on case 50046677146851  
 Logistics code(s) 927902784121

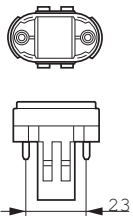
tpd\_ilcos\_cd FSD-13/40/1B-I-GX23  
 eop\_net\_weight\_pp 35.000 gr

## Dimensional drawing



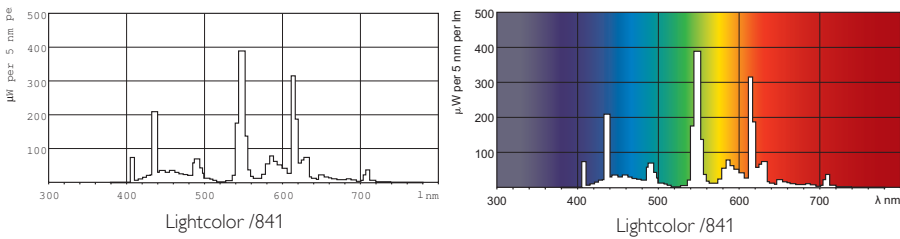
## G23/GX23, 2P

Product	A (Max)	B (Max)	C (Max)	D (Max)	D1 (Max)
PL-S ALTO 13W/841/2P	139.5	155.2	177.7	28	13



GX23

## Photometric data



© 2012 Koninklijke Philips Electronics N.V.  
 All rights reserved.

Specifications are subject to change without notice. Trademarks are the property of Koninklijke Philips Electronics N.V. or their respective owners.

[www.philips.com/lighting](http://www.philips.com/lighting)

2012, August 4  
 data subject to change