



PL-S Short 2-Pin Base

PL-S ALTO 13W/830 GX23/2P 1CT

Philips Linear Compact Fluorescent Lamps offer designers, specifiers and end-users new levels of efficiencies and versatility in sizes, configurations and application possibilities. With so many elegant fixtures available to complement their small size, high light output and advanced technology, Philips Energy Advantage lamps are fast becoming the preferred choice when maximum efficiency and sleek design solutions are required.

Product data

• General Characteristics

Base	GX23 [Two-Pin Compact Fluorescent; high preheat current; four retainers]
Base Information	2P
Avg. Life	10000 hr
Life to 10% failures EM	0 hr
LSF EM 8000h Rated, 3h cycle	86 %
LSF EM 6000h Rated, 3h cycle	95 %
LSF EM 4000h Rated, 3h cycle	98 %
LSF EM 2000h Rated, 3h cycle	99 %

• Light Technical Characteristics

Color Code	830 [CCT of 3000K]
Color Rendering Index	82 Ra8
Color Designation	Warm White
Color Temperature	3000 K
Chromaticity Coordinate X	435 -
Chromaticity Coordinate Y	401 -
LLMF EM 8000h Rated	86 %
LLMF EM 6000h Rated	89 %
LLMF EM 4000h Rated	91 %
LLMF EM 2000h Rated	94 %

Luminous Flux EM 25°C, Nominal	825 Lm
Design Temperature	28 C

• Electrical Characteristics

Watts	13 W
Dimmable	No
Lamp Current EM 25°C	0.290 A
Lamp Wattage EM 25°C, Nominal	13 W
Lamp Voltage EM 25°C	56 V

• Environmental Characteristics

Energy Efficiency Label (EEL)	B
Mercury (Hg) Content	1.4 mg

• Product Dimensions

Base Face to Base Face A	139.5 (max) mm
Insertion Length B	155.2 (max) mm
Overall Length C	177.7 (max) mm
Diameter D	28 (max) mm
Diameter D1	13 (max) mm

• Product Data

Product number	146837
Full product name	PL-S ALTO 13W/830 GX23/2P 1CT
Short product name	PL-S 13W/830/2P ALTO 10PK
Pieces per Sku	1

PHILIPS

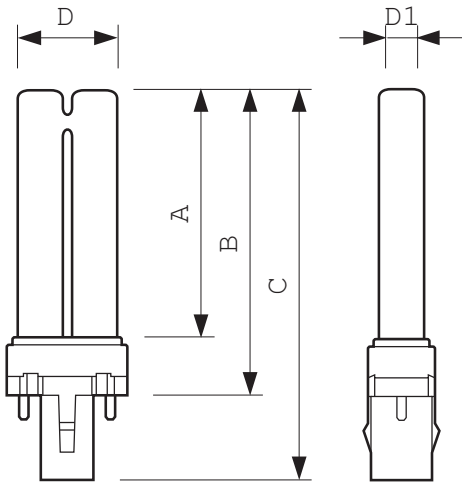
sense and simplicity

PL-S Short 2-Pin Base

eop_pck_cfg 10
 Skus/Case 10
 Bar code on pack 46677146832
 Bar code on case 50046677146837

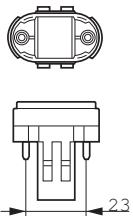
Logistics code(s) 927902783021
 tpd_ilcos_cd FSD-13/30/1B-I-GX23
 eop_net_weight_pp 35.000 gr

Dimensional drawing



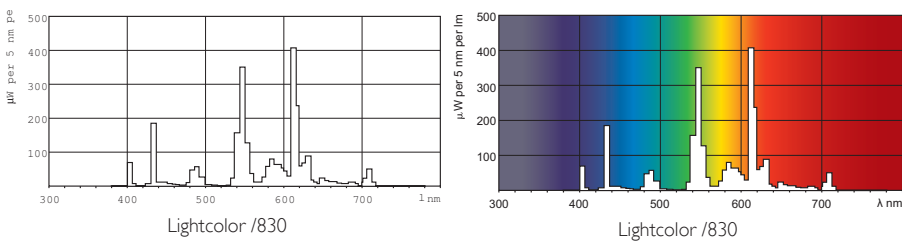
G23/GX23, 2P

Product	A (Max)	B (Max)	C (Max)	D (Max)	D1 (Max)
PL-S ALTO 13W/830/2P	139.5	155.2	177.7	28	13



GX23

Photometric data



© 2012 Koninklijke Philips Electronics N.V.
 All rights reserved.

Specifications are subject to change without notice. Trademarks are the property of Koninklijke Philips Electronics N.V. or their respective owners.

www.philips.com/lighting

2012, August 4
 data subject to change