



PL-S Short 2-Pin Base

PL-S ALTO 9W/835 G23/2P 1CT

Philips Linear Compact Fluorescent Lamps offer designers, specifiers and end-users new levels of efficiencies and versatility in sizes, configurations and application possibilities. With so many elegant fixtures available to complement their small size, high light output and advanced technology, Philips Energy Advantage lamps are fast becoming the preferred choice when maximum efficiency and sleek design solutions are required.

Product data

• General Characteristics

Base	G23 [Two-Pin Compact Fluorescent; low preheat current; two retainers]
Base Information	2P
Avg. Life	10000 hr
Life to 10% failures EM	6500 hr
LSF EM 8000h Rated, 3h cycle	86 %
LSF EM 6000h Rated, 3h cycle	95 %
LSF EM 4000h Rated, 3h cycle	98 %
LSF EM 2000h Rated, 3h cycle	99 %

• Light Technical Characteristics

Color Code	835 [CCT of 3500K]
Color Rendering Index	82 Ra8
Color Designation	White
Color Temperature	3500 K
Chromaticity Coordinate X	406 -
Chromaticity Coordinate Y	396 -
Lum Efficacy Rated EM 25°C	67 Lm/W
LLMF EM 8000h Rated	86 %
LLMF EM 6000h Rated	89 %
LLMF EM 4000h Rated	91 %
LLMF EM 2000h Rated	94 %

Luminous Flux EM 25°C, Rated	583 Lm
Luminous Flux EM 25°C, Nominal	600 Lm
Design Temperature	28 C

• Electrical Characteristics

Watts	9 W
Dimmable	No
Lamp Current EM 25°C	0.170 A
Lamp Wattage EM 25°C, Rated	8.7 W
Lamp Wattage EM 25°C, Nominal	9 W
Lamp Voltage EM 25°C	60 V

• Environmental Characteristics

Energy Efficiency Label (EEL)	A
Mercury (Hg) Content	1.4 mg

• Product Dimensions

Base Face to Base Face A	129 (max) mm
Insertion Length B	145 (max) mm
Overall Length C	167 (max) mm
Diameter D	28 (max) mm
Diameter D1	13 (max) mm

PHILIPS

sense and simplicity

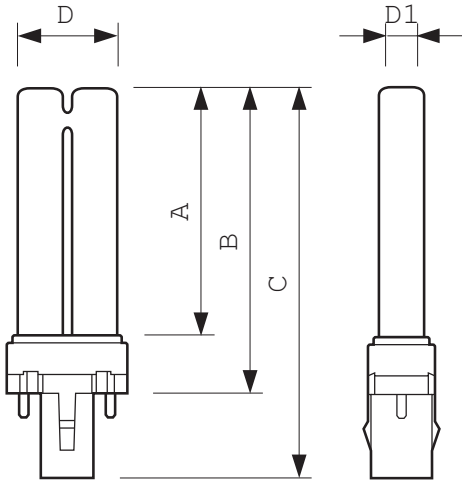
PL-S Short 2-Pin Base

Product Data

Product number 148692
 Full product name PL-S ALTO 9W/835 G23/2P 1CT
 Short product name PL-S 9W/835/2P ALTO 10PK
 Pieces per Sku 1
 eop_pck_cfg 10

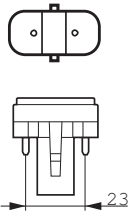
Skus/Case 10
 Bar code on pack 46677148690
 Bar code on case 50046677148695
 Logistics code(s) 927901883521
 tpd_ilcos_cd FSD-9/35/1B-I-G23
 eop_net_weight_pp 32.000 gr

Dimensional drawing



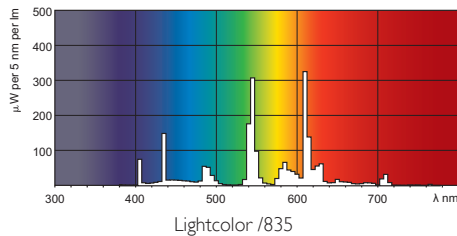
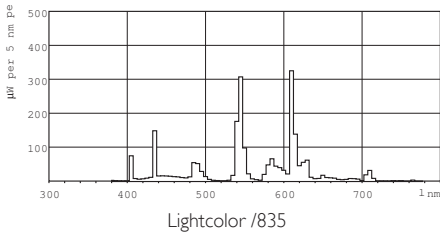
G23/GX23, 2P

Product	A (Max)	B (Max)	C (Max)	D (Max)	D1 (Max)
PL-S ALTO 9W/835/2P	129	145	167	28	13



G23

Photometric data



© 2012 Koninklijke Philips Electronics N.V.
 All rights reserved.

Specifications are subject to change without notice. Trademarks are the property of Koninklijke Philips Electronics N.V. or their respective owners.

www.philips.com/lighting

2012, August 4
 data subject to change