



Energy Advantage IR MR16

Energy Advantage IR 35W 12V MR16 60D 1CT

Philips Energy Advantage IRC MR16 lamps make it easy to optimize the look and feel of your merchandise, and the shoppers experience, with lower operating costs.

Product data

• General Characteristics

Base	GU5.3
Bulb	MR16 [MR 16inch/50mm]
Operating Position	Universal [Any or Universal (U)]

• Light Technical Characteristics

Beam Angle	60 D
------------	------

• Electrical Characteristics

Watts	35 W
Voltage	12 V

• Product Dimensions

Overall Length C	50.5 (max) mm
Overall Length Rim C1	50.5 (max) mm

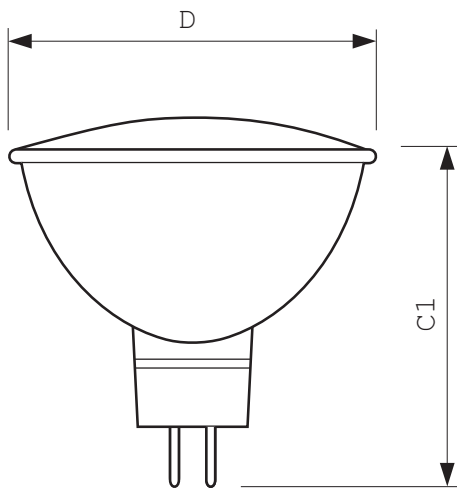
Diameter D 51 (max) mm

• Product Data

Product number	202697
Full product name	Energy Advantage IR 35W 12V MR16 60D 1CT
Short product name	35MRC16/IRC/ALU/WFL60 20PK
Pieces per Sku	1
eop_pck_cfg	4X5F
Skus/Case	20
Bar code on pack	46677202699
Bar code on intermediate pack	2005040020023
Bar code on case	50046677202694
Logistics code(s)	925633817104
tpd_ilcos_cd	HRGS-35-12-GU5.3-50/60
eop_net_weight_pp	32.000 gr

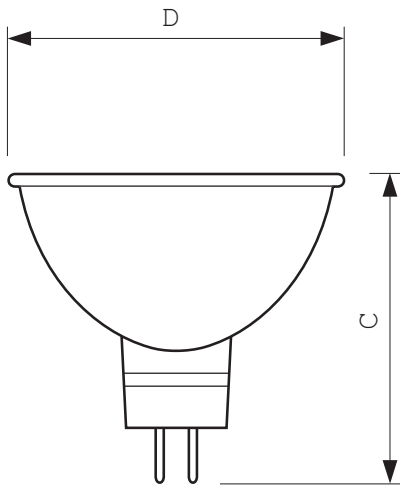
Dimensional drawing

Dimensional drawing



GU5.3, MR16

Product	C1 (Max)	D (Max)
MLES Alu 35W GU5.3 12V MR16 60D	50.5	51



GU5.3, MR16

Product	C1 (Max)	D (Max)
MLES Alu 35W GU5.3 12V MR16 60D	50.5	51



© 2012 Koninklijke Philips Electronics N.V.
All rights reserved.

Specifications are subject to change without notice. Trademarks are the property of Koninklijke Philips Electronics N.V. or their respective owners.

www.philips.com/lighting

2012, August 4
data subject to change