

# PAR38

75W 130V PAR38 SP 10D CL 1CT



Philips Halogen PAR lamps make it easy to optimize the look and feel of your store, your merchandise, and will provide a comfortable shopping experience, at lower operating costs. Superior halogen lamps for the best accent lighting effect. Ideal for retail, residential indoor/ outdoor applications.

## Product data

### • General Characteristics

Base	Medium Skirted [Skirted Medium Screw (PAR Lamps)]
Base Information	Brass [Brass Base]
Bulb	PAR38 [PAR 4.75 inch/121mm]
Bulb Material	Hard Glass
Bulb Finish	Clear
Reflector Finish	Aluminized
Filament Shape	CC-8 [Axial]
Operating Position	Universal [Any or Universal (U)]
Main Application	Outdoor
Atmosphere	Gas
RatedAvgLife(See Family Notes)	2500 hr
Rated Avg. Life @ 120v	5000 hr
Estimated Energy Cost/YR	7.70 \$
Life with 3h/day use [years]	4.5 an

### • Light Technical Characteristics

Beam Description	Spot
Beam Angle	10 D
Approx. MBCP	14000 cd
Color Rendering Index	100 Ra8

Color Temperature	2900 K
Initial lumen	1100 Lm
Initial Lumens @ 120V	840 Lm

### • Electrical Characteristics

Watts	75 W
Voltage	130 V

### • Product Dimensions

Max Overall Length (MOL) - C	5.313 (max) in
Diameter D	4.75 in

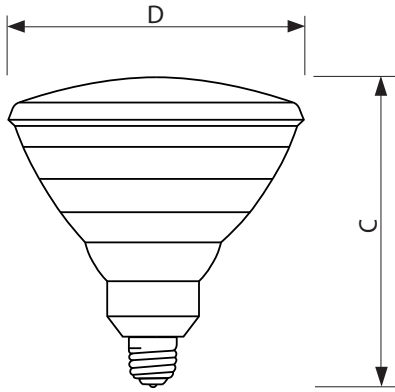
### • Product Data

Product number	144931
Full product name	75W 130V PAR38 SP 10D CL 1CT
Short product name	75W 130V PAR38 SP 10D CL 1CT
Pieces per Sku	1
eop_pck_cfg	12
Skus/Case	12
Bar code on pack	46677144937
Bar code on case	50046677144932
Logistics code(s)	924757109501
eop_net_weight_pp	0.001 kg

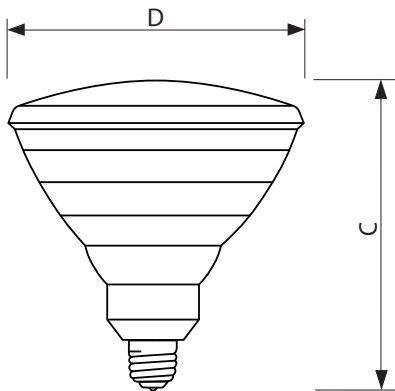
# PHILIPS

sense and simplicity

Dimensional drawing



E26, PAR38



E26, PAR38



© 2012 Koninklijke Philips Electronics N.V.  
All rights reserved.

Specifications are subject to change without notice. Trademarks are the property of Koninklijke Philips Electronics N.V. or their respective owners.

[www.philips.com/lighting](http://www.philips.com/lighting)

2012, August 4  
data subject to change