



Long Life MR-16

Long Life EYC 75W GU5.3 12V MR16 36D CL 1CT

Philips Halogen Long Life MR16 lamps make it easy to optimize the look and feel of your brand, your merchandise, and the shoppers experience, with lower operating costs.

Product data

• General Characteristics

Philips Code	14639
ANSI Code Halogen	EYC
Base	GU5.3
Bulb	MR16 [MR 16inch/50mm]
Bulb Finish	Clear
Operating Position	Universal [Any or Universal (U)]
RatedAvgLife(See Family Notes)	4000 hr
Rated Lifetime (hours)	2000 hr
Rated Lifetime (years)	2 an

• Light Technical Characteristics

Beam Angle	36 D
Beam Angle Technical	36 D
Approx. MBCP	2500 (max) cd
Color Rendering Index	100 Ra8
Color Temperature	3000 K
Color Temperature technical	3000 K

• Electrical Characteristics

Watts	75 W
Lamp Wattage Technical	73 W
Voltage	12 V
Lamp Current	6.3 A
Dimmable	Yes

• Environmental Characteristics

Energy Efficiency Label (EEL)	-
Mercury (Hg) Content	0.0 mg

• Luminaire Design Requirements

Cap-Base Temperature	350 (max) C
Bulb Temperature	300 (max) C

• Product Dimensions

Overall Length C	51 (max) mm
Diameter D	46 (max) mm

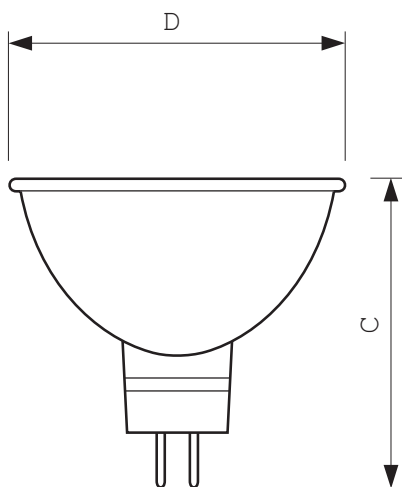
• Product Data

Product number	378091
Full product name	Long Life EYC 75W GU5.3 12V MR16 36D CL 1CT
Short product name	75MR16/FL36 EYC 50PK
Pieces per Sku	1
eop_pck_cfg	10X5F
Skus/Case	50
Bar code on pack	46677378097
Bar code on intermediate pack	2005040007673
Bar code on case	50046677378092
Logistics code(s)	924053417130
tpd_ilcos_cd	HRGS-75-12-GU5.3-50/36
eop_net_weight_pp	30.000 gr

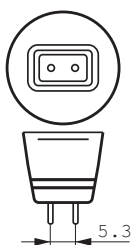
PHILIPS

sense and simplicity

Dimensional drawing



Product	C (Max)	D (Max)
DICHRO Pro 14639 75W GU5.3 12V MR16 36D	51	46



GU5.3



© 2012 Koninklijke Philips Electronics N.V.
All rights reserved.

Specifications are subject to change without notice. Trademarks are the property of Koninklijke Philips Electronics N.V. or their respective owners.

www.philips.com/lighting

2012, August 4
data subject to change