

Philips Family of Specialty Incandescents provide the perfect light for dramatic accents and display lighting as well as general lighting in a variety of applications. These PAR Krypton flood lamps are available with medium skirted bases.

## Product data

### • General Characteristics

Base	Medium Skirted [Skirted Medium Screw (PAR Lamps)]
Bulb	PAR38 [PAR 4.75 inch/121mm]
Operating Position	Universal [Any or Universal (U)]
Atmosphere	Krypton
Average Lifetime	4000 hr

### • Light Technical Characteristics

Beam Description	Flood [Flood]
Beam Angle Technical	30 D
Approx. MBCP	5000 (max) cd
Color Rendering Index	100 Ra8
Initial lumen	3100 Lm

### • Electrical Characteristics

Watts	250 W
Voltage	120-130 V
Dimmable	Yes

### • Measuring Conditions

Measuring Voltage	125 V
Life test position	180 deg (cap up vertical)
Switching cycle	2 times a 24h; minimum 15 minutes off
Ageing	1 hour at rated voltage

LV Reference See also LV 080-031-010

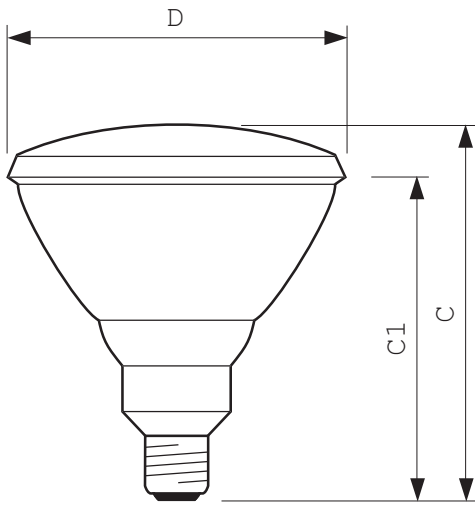
### • Product Dimensions

Overall Length C	135 (max) mm
Overall Length Rim C1	121 mm
Diameter D	122.5 (max) mm
Eccentricity	1.0 (max) mm
Skewness	2.5 (max) mm
Glass Strain Big Parabola	500 nm
Glass Strain Small Parabola	650 nm
L-size	70 mm

### • Product Data

Product number	374322
Full product name	Reflector 250W Med Skt 120-130V PAR38 FL 1CT
Short product name	K250PAR38/FL 120-130V 12PK
Pieces per Sku	1
eop_pck_cfg	12
Skus/Case	12
Bar code on pack	46677374327
Bar code on case	50046677374322
Logistics code(s)	923834636104
tpd_ilcos_cd	IPAR-250-120/130-E26-121/30
eop_net_weight_pp	307.000 gr

## Dimensional drawing



### PAR38, E27

Product	C (Max)	C1 (Norm)	D (Max)
PAR38 250W E26/50x39 120-130V FL Kr	135	121	122.5



© 2012 Koninklijke Philips Electronics N.V.  
All rights reserved.

Specifications are subject to change without notice. Trademarks are the property of Koninklijke Philips Electronics N.V. or their respective owners.

[www.philips.com/lighting](http://www.philips.com/lighting)

2012, March 28  
data subject to change