

# Award Winning LED Bulb

10A19/LPRIZE-PRO/2700-900 DIM 10/1



Philips Award Winning LED Bulb is the efficient, LED alternative to a standard 60 watt incandescent A19 bulb with 800 lumens. The unique bulb design provides omni-directional light with only 10 watts of power.

## Product data

### • General Characteristics

Cap-Base	E26
Bulb	A19
Bulb Finish	- [-]
Rated Avg. Life (Hours)	30000 hr
Rated Avg. Life (Hours)	30000 hr

### • Light Technical Characteristics

Color Code	WW
Color Designation	Warm White
Beam Angle	0 D
Correlated Color Temperature	2700 K
Approximate Lumens	900 Lm
CRI	90
Color Temp. (Kelvin)	2700 K [CCT 2700K]
Rated Luminous Flux	900 Lm

### • Electrical Characteristics

Wattage	10 W
Wattage Technical	10.0 W

Voltage	120 V
Dimmable	Yes

### • Product Dimensions

Diameter D	69 mm
Overall Length C	122 mm
Overall Length C [inch]	4.807 (max) in

### • Product Data

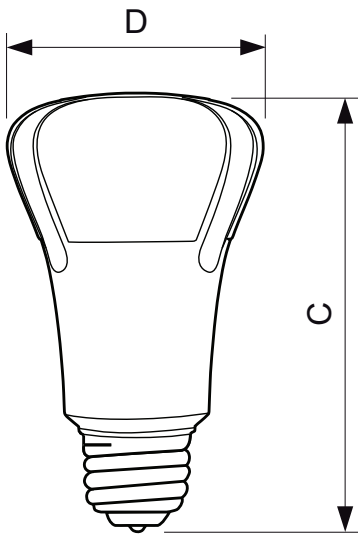
Product number	420224
Full product name	10A19/LPRIZE-PRO/2700-900 DIM 10/1
Short product name	10A19/LPRIZE-PRO/2700-900 DIM 10/1
Pieces per Sku	1
eop_pck_cfg	6
Skus/Case	6
Bar code on pack	46677420222
Bar code on case	50046677420227
Logistics code(s)	929000209704
eop_net_weight_pp	0.120 kg

## Dimensional drawing



**PHILIPS**  
sense and simplicity

## Dimensional drawing



E26

## L Prize Winning LED

Product	C (Norm)	C1 (Max)	D (Norm)	D1 (Norm)
LED 10W E26 2700K 120V A19 DIM	122	4.807	69	2.719



© 2012 Koninklijke Philips Electronics N.V.  
All rights reserved.

Specifications are subject to change without notice. Trademarks are the property of Koninklijke Philips Electronics N.V. or their respective owners.

[www.philips.com/lighting](http://www.philips.com/lighting)

2012, August 4  
data subject to change