



PAR20 Indoor Flood LED

7PAR20/END/F25 3000 DIM 6/1

Philips PAR20 Dimmable LED lamps bring innovation to familiar applications and deliver excellent dimming performance.

Product data

• General Characteristics

Cap-Base	E26
Bulb	PAR20 [PAR20 mm]
Rated Avg. Life (Hours)	45000 hr

• Light Technical Characteristics

Color Code	WH
Color Designation	White
Beam Angle	25 D
Beam Description	- [-]
Correlated Color Temperature	3000 K
Approximate Lumens	310 Lm
Approx. MBCP	1300 cd
CRI	80
Color Temp. (Kelvin)	3000 K [CCT 3000K]

• Electrical Characteristics

Wattage	7 W
Wattage Technical	7.0 W

Voltage	120 V
Line Frequency	60 Hz
Power Factor	0.72 -
Lamp Current mA	85 mA
Dimmable	Yes

• Product Dimensions

Overall Length C [inch]	3.48 (max) in
-------------------------	---------------

• Product Data

Product number	418582
Full product name	7PAR20/END/F25 3000 DIM 6/1
Short product name	7PAR20/END/F25 3000-280 DIM 6/1
Pieces per Sku	1
eop_pck_cfg	6
Skus/Case	6
Bar code on pack	46677418588
Bar code on case	50046677418583
Logistics code(s)	929000202204
eop_net_weight_pp	0.156 kg

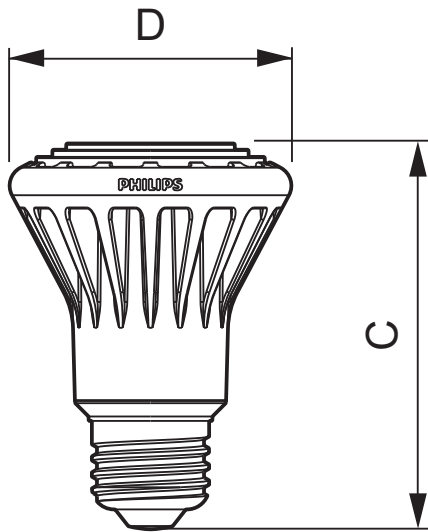
Dimensional drawing



PHILIPS
sense and simplicity

PAR20 Indoor Flood LED

Dimensional drawing



E26

7W, PAR20, Dimmable

Product	C (Norm)	D (Norm)
LED 7W E26 3000K 120V PAR20 25D DIM	-	-



© 2012 Koninklijke Philips Electronics N.V.
All rights reserved.

Specifications are subject to change without notice. Trademarks are the property of Koninklijke Philips Electronics N.V. or their respective owners.

www.philips.com/lighting

2012, August 4
data subject to change