



Halogen reflector

ELH 300W 120V

Philips' halogen reflector lamps offer the ideal no-fuss solution for a wide variety of medical, projection and scientific illumination systems. Their proven reliability makes them ideal for retrofit installations. The burners are precisely aligned for optimal light performance. Dichroic reflectors ensure heat dissipation towards the back of the optical system, which helps the optical system remain within temperature limits. A special blue-filter version blocking out unwanted light above 700 nm is available for dental curing applications. In addition, you get all the proven advantages of halogen technology such as a CRI of 100 – the same as natural sunlight for the best possible color rendering. Halogen lamps also create a comfortable warm white light, and they maintain their high lumen output with almost no lumen reduction throughout their lifetime.

Product data

• General Characteristics

Philips Code	13096
ANSI Code	ELH
LIF Code	-
Cap-Base	GY5.3
Bulb Material	Quartz-UV Open
Reflector Finish	Facetted
Operating Position	s90
Main Application	Projection
Life to 50% failures	35 hr

• Light Technical Characteristics

Color Rendering Index	100 Ra8
Color Temperature	3350 K
Technical Luminous Flux Lamp	850 Lm

• Electrical Characteristics

Watts	300 W
Voltage	120 V
Dimmable	Yes

• Luminaire Design Requirements

Pinch Temperature	350 (max) C
-------------------	-------------

Bulb Temperature	900 (max) C
Working Distance WD	152.4 mm

• Product Dimensions

Overall Length C	44.45 (max) mm
Diameter D	50.7 (max) mm
Filament Dimensions (WxH) [mm]	-

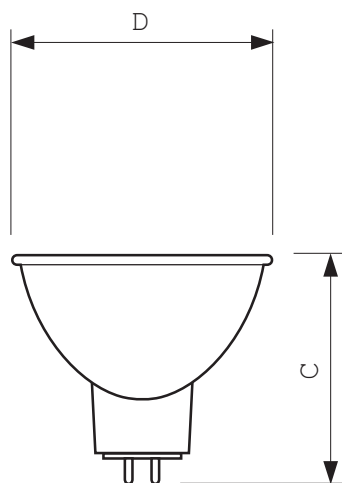
• Product Data

Product number	316190
Full product name	13096 ELH 300W GY5.3 120V 1CT
Short product name	13096 ELH 300W GY5.3 120V 1CT/24
Pieces per Sku	1
eop_pck_cfg	24
Skus/Case	24
Bar code on pack	8711500410573
Bar code on case	8711500419057
Logistics code(s)	923920936394
eop_net_weight_pp	26.000 gr

Dimensional drawing

Halogen reflector

Dimensional drawing



GY5.3

GX5.3, GY5.3, GZ6.35

Product	C (Max)	D (Max)	L (Min)	L (Norm)	L (Max)
13096 ELH 300W GY5.3 120V	44.45	50.7	-	-	-



© 2012 Koninklijke Philips Electronics N.V.
All rights reserved.

Specifications are subject to change without notice. Trademarks are the property of Koninklijke Philips Electronics N.V. or their respective owners.

www.philips.com/lighting

2012, August 4
data subject to change