



Energy saving elegance with improved lumens and design versatility

Candle LED

Philips Candle Dimmable LED Lamps offer decorative energy saving ambience with the elegant effect of incandescent candles. Available in bent, blunt and flame tip candles, their unique design provides light in all directions, giving lighting designers a long life alternative to standard incandescent sources.

Benefits

- Long life properties-- lowers maintenance costs by reducing re-lamp frequency
- Installs into existing candelabra and medium-base fixtures
- Will not fade colors, avoids inventory spoilage
- Contains no mercury
- Emits virtually no UV/IR light in beam
- 3-year or 5-year limited warranty depending upon operating hours

Features

- Dimmable* and non-dimmable versions available
- Clear design available in bent, blunt and flame tip
- 25,000-hour rated average life⁺ for 3.5W Philips LED candle



PHILIPS
sense and simplicity

Related products



4W E26 BA12



E26 F15



E12 BA11

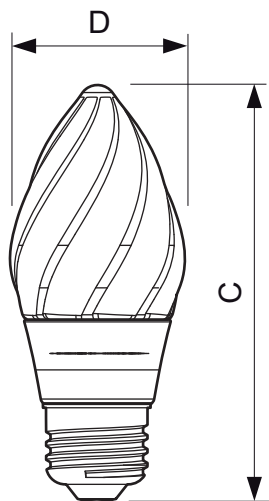


E26 B12



E12 B11

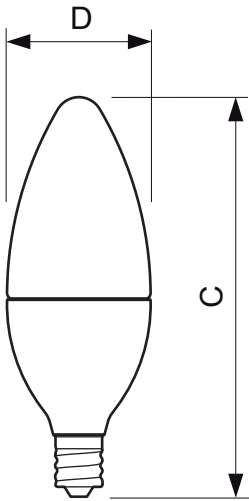
Dimensional drawing



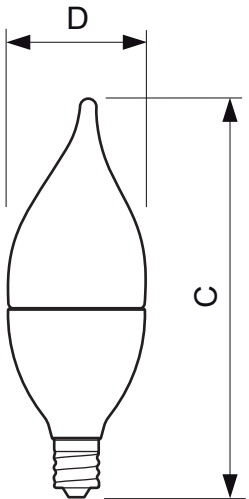
4F15/END/2700-E26 DIM 8/1

Product	C (Norm)	C1 (Max)	D (Norm)	D1 (Norm)
LED 5W E26 2700K 120V F15	112	4.41	47	1.85
LED 3.5W E26 2700K 120V F15	113	-	48	-

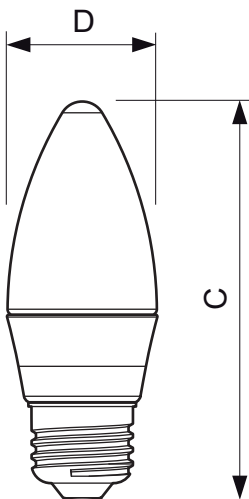
Dimensional drawing

**3.5B11/END/2700 E12 DIM 8/1**

Product	C (Norm)	C1 (Max)	D (Norm)	D1 (Norm)
LED 3.5W E12 2700K 120V B11	100	-	35,5	-

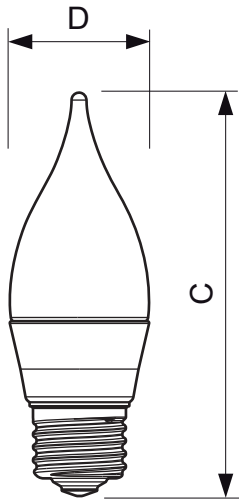
**3.5BA11/END/2700 E12 DIM 8/1**

Product	C (Norm)	C1 (Max)	D (Norm)	D1 (Norm)
LED 3.5W E12 2700K 120V BA11	103	-	35,5	-

**3.5B12/END/2700 E26 DIM 8/1**

Product	C (Norm)	C1 (Max)	D (Norm)	D1 (Norm)
LED 3.5W E26 2700K 120V B12	115	-	40	-

Dimensional drawing



4BA12/END/2700-E26 DIM 8/1

Product	C (Norm)	C1 (Max)	D (Norm)	D1 (Norm)
LED 4W E26 WW 2625K 120V Dimm -	4.49	-	1.54	-

General Characteristics

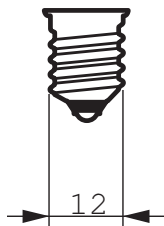
Product number	Full product name	Cap-Base	Bulb	Bulb Finish	Rated Avg. Life (Hours)	Rated Lifetime (years)
414862	4BA12/END/2700-E26 DIM 8/1	E26	BA12	Clear	20000 hr	-
427237	4F15/END/2700-E26 DIM 8/1	E26	F15	-	25000 hr	22.8 an
427807	3.5F15/END/2700 E26 DIM 8/1	E26	F15	-	25000 hr	22.8 an
427781	3.5BA11/END/2700 E12 DIM 8/1	E12	BA11	-	25000 hr	22.8 an

Product number	Full product name	Cap-Base	Bulb	Bulb Finish	Rated Avg. Life (Hours)	Rated Lifetime (years)
427815	3.5B12/END/2700 E26 DIM 8/1	E26	B12	-	25000 hr	22.8 an
427799	3.5B11/END/2700 E12 DIM 8/1	E12	B11	-	25000 hr	22.8 an

Installation diagrams



E26



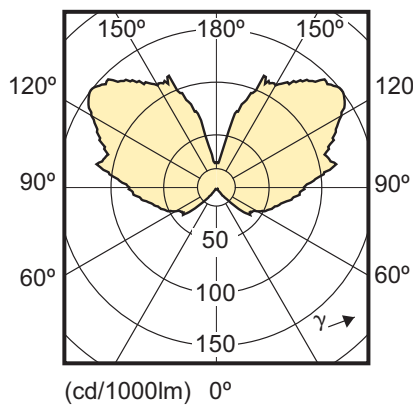
E12

Light Technical Characteristics

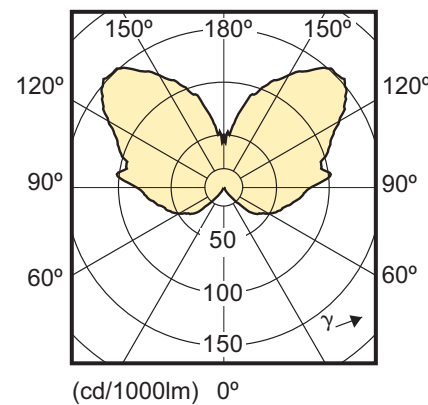
Product number	Full product name	Color Code	CRI	Color Temp. (Kelvin)	Rated Luminous Flux
414862	4BA12/END/2700-E26 DIM 8/1	WW	90	2625 K	150 Lm
427237	4F15/END/2700-E26 DIM 8/1	WW	90	2700 K	320 Lm
427807	3.5F15/END/2700 E26 DIM 8/1	WW	80	2700 K	180 Lm
427781	3.5BA11/END/2700 E12 DIM 8/1	WW	80	2700 K	180 Lm

Product number	Full product name	Color Code	CRI	Color Temp. (Kelvin)	Rated Luminous Flux
427815	3.5B12/END/2700 E26 DIM 8/1	WW	80	2700 K	180 Lm
427799	3.5B11/END/2700 E12 DIM 8/1	WW	80	2700 K	180 Lm

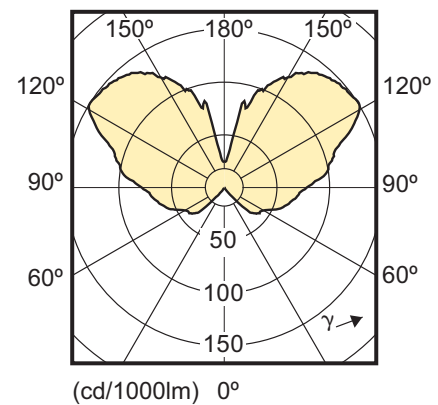
Light technical



3.5W E12 2700K B11



3.5W E12 2700K BA11



3.5W E26 2700K B12

Electrical Characteristics

Product number	Full product name	Wattage	Voltage	Line Frequency	Dimmable	Wattage Equivalent	Starting Time
414862	4BA12/END/2700-E26 DIM 8/1	4 W	120 V	60 Hz	Yes	-	-
427237	4F15/END/2700-E26 DIM 8/1	5 W	120 V	-	Yes	25 W	0.5 (max) s
427807	3.5F15/END/2700 E26 DIM 8/1	3.5 W	120 V	60 Hz	Yes	25 W	-
427781	3.5BA11/END/2700 E12 DIM 8/1	3.5 W	120 V	60 Hz	Yes	25 W	-
427815	3.5B12/END/2700 E26 DIM 8/1	3.5 W	120 V	60 Hz	Yes	25 W	-
427799	3.5B11/END/2700 E12 DIM 8/1	3.5 W	120 V	60 Hz	Yes	25 W	-

Environmental characteristics

Product number	Full product name	Energy Efficiency Label (EEL)
414862	4BA12/END/2700-E26 DIM 8/1	A

Measuring Conditions

Product number	Full product name	Switching cycle
427237	4F15/END/2700-E26 DIM 8/1	50000x
427807	3.5F15/END/2700 E26 DIM 8/1	50000x
427781	3.5BA11/END/2700 E12 DIM 8/1	50000x
427815	3.5B12/END/2700 E26 DIM 8/1	50000x
427799	3.5B11/END/2700 E12 DIM 8/1	50000x