



MR16 LED

7MR16/END/F24 4000 DIM10/1

Philips MR16 Dimmable LED Lamps provide ambient level light to illuminate hard to maintain applications. Increased transformer compatibility allows for operation on a wider range of transformers. Available in dimmable and non-dimmable versions, these lamps are ideal for track and open recessed fixtures in retail, hospitality and residential spaces.

Product data

• General Characteristics

Cap-Base	GU5.3
Bulb	MR16 [MR 16inch/50mm]
Rated Avg. Life (Hours)	40000 hr

• Light Technical Characteristics

Color Code	CW
Color Designation	Cool White
Beam Angle	24 D
Beam Description	- [-]
Correlated Color Temperature	4000 K
Approximate Lumens	350 Lm
Approx. MBCP	1640 cd
CRI	84
Color Temp. (Kelvin)	4000 K [CCT 4000K]

• Electrical Characteristics

Wattage	7 W
Wattage Technical	7.0 W
Voltage	12 V

Line Frequency	50-60 Hz
Power Factor	0.8 -
Lamp Current mA	650 mA
Dimmable	Yes

• Product Dimensions

Diameter D	50 mm
Overall Length C	53.7 mm
Overall Length C [inch]	2.116 (max) in

• Product Data

Product number	414706
Full product name	7MR16/END/F24 4000 DIM10/1
Short product name	7MR16/END/F24 4000 DM10/1
Pieces per Sku	1
eop_pck_cfg	10
Skus/Case	10
Bar code on pack	46677414702
Bar code on case	50046677414707
Logistics code(s)	929000179202
eop_net_weight_pp	0.035 kg

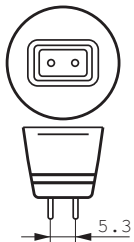
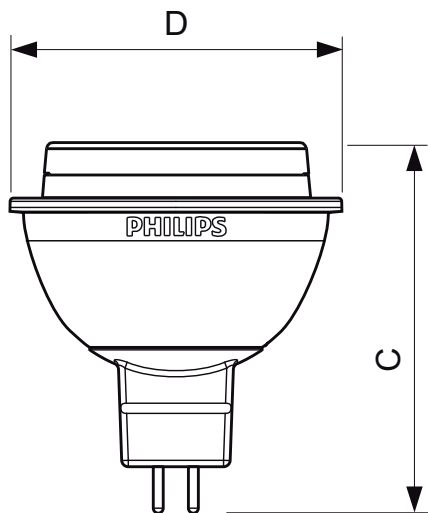
Dimensional drawing



PHILIPS

sense and simplicity

Dimensional drawing



GU5.3

7-35W/10-50W, GU5.3, MR16, dimmable

Product	C (Norm)	D (Norm)
LED 7W GU5.3 4000K 12V MR16 24D Dimm	53.7	50



© 2012 Koninklijke Philips Electronics N.V.
All rights reserved.

Specifications are subject to change without notice. Trademarks are the property of Koninklijke Philips Electronics N.V. or their respective owners.

www.philips.com/lighting

2012, August 4
data subject to change