

# MasterColor® CDM-TM

MasterColor CDM-TM 20W/830 T3.5 CL 1CT



Introducing the smallest 20W ceramic metal halide lamp together with the unique e-Vision® electronic ballast. It's visually pleasing and financially rewarding, so the focus can be on your merchandise and not the ceiling clutter.

## Product data

### • General Characteristics

Base	PGJ5
Bulb	T3.5
Bulb Finish	Clear
Operating Position	Universal [Any or Universal (U)]
Life to 5% failures	9000 hr
Life to 10% failures	10000 hr
Life to 20% failures	11000 hr
RatedAvgLife(See Family Notes)	12000 hr

### • Light Technical Characteristics

Color Code	830 [CCT of 3000K]
Color Rendering Index	82 (min), 85 (nom) Ra8
Color Designation	Warm White
Color Temperature	3000 K
Color Temperature technical	3020 K
Chromaticity Coordinate X	0.432 -
Chromaticity Coordinate Y	0.396 -
Initial Lumens	1650 Lm
Luminous Efficacy Lamp EL	75 Lm/W
Lumen Maintenance 2000h	75 %
Lumen Maintenance 5000h	65 %
Lumen Maintenance 10000h	60 %
Lumen Maintenance 1000h	80 %
Design Mean Lumens EL	1100 Lm

### • Electrical Characteristics

System Power EL	24 W
Watts	20 W
Lamp Wattage EL	22 W
Lamp Voltage	100 V
Lamp Current EL	0.220 A
Ignition Time	30 (max) s
Run-up time 90%	3 (max) min
Re-ignition Time [min]	15 (max) min
Dimmable	No

### • Environmental Characteristics

Mercury (Hg) Content	2.4 mg
----------------------	--------

### • UV-related Characteristics

PET (NIOSH)	34 h.klx
Damage Factor D/fc	0.51 -

### • Luminaire Design Requirements

Cap-Base Temperature	250 (max) C
Bulb Temperature	380 (max) C

### • Product Dimensions

Overall Length C	52 (max) mm
Diameter D	11.2 (max) mm
Light Center Length L	22.3 (min), 22.6 (nom), 22.9 (max) mm
Arc Length O	3 mm

# PHILIPS

sense and simplicity

Light Center Length L 0.87 in  
 Max Overall Length (MOL) - C 1.75 (max) in  
 Diameter D 0.44 in

Short product name CDM20/TM/830 12PK  
 Pieces per Sku 1  
 eop\_pck\_cfg 12  
 Skus/Case 12  
 Bar code on pack 46677140403  
 Bar code on case 50046677140408  
 Logistics code(s) 928087905119  
 tpd\_ilcos\_cd MC-20/30/1B-H-PGJ5  
 eop\_net\_weight\_pp 0.005 kg

• Product Data

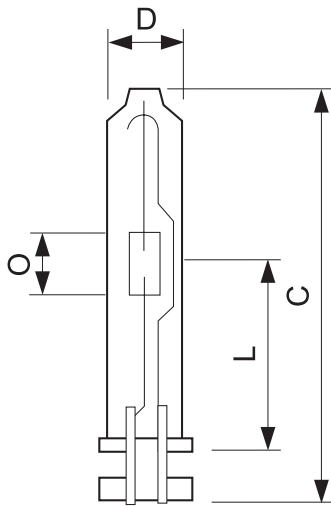
Product number 140400  
 Full product name MasterColor CDM-TM 20W/830 T3.5 CL 1CT

Warnings and Safety

- R "WARNING: These lamps can cause serious skin burn and eye inflammation from short wave ultraviolet radiation if outer envelope of the lamp is broken or punctured. Do not use where people will

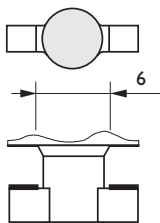
remain for more than a few minutes unless adequate shielding or other safety precautions are used. Certain lamps that will automatically extinguish when the outer envelope is broken or punctured are commercially available." This lamp complies with FDA radiation performance standard 21 CFR subchapter J. (USA:21 CFR 1040.30 Canada: SOR/DORS/80-381)

Dimensional drawing



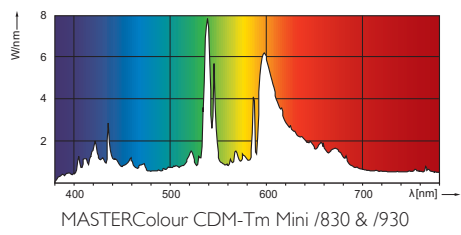
MASTERColour CDM-Tm, PGJ5

Product	C (Max)	D (Max)	L (Min)	L (Norm)	L (Max)	O (Min)	O (Norm)	O (Max)
CDM-Tm 20W/830 PGJ5	52	11.2	22.3	22.6	22.9	-	3	-



PGJ5

Photometric data



© 2012 Koninklijke Philips Electronics N.V.  
All rights reserved.

Specifications are subject to change without notice. Trademarks are the property of Koninklijke Philips Electronics N.V. or their respective owners.

[www.philips.com/lighting](http://www.philips.com/lighting)

2012, August 4  
data subject to change