



# MR16 LED

10MR16/END/F24 4000 DIM10/1

Philips MR16 Dimmable LED Lamps provide ambient level light to illuminate hard to maintain applications. Increased transformer compatibility allows for operation on a wider range of transformers. Available in dimmable and non-dimmable versions, these lamps are ideal for track and open recessed fixtures in retail, hospitality and residential spaces.

## Product data

### • General Characteristics

Cap-Base	GU5.3
Bulb	MR16 [MR 16inch/50mm]
Rated Avg. Life (Hours)	25000 hr

### • Light Technical Characteristics

Color Code	CW
Color Designation	Cool White
Beam Angle	24 D
Beam Description	- [-]
Correlated Color Temperature	4000 K
Approximate Lumens	440 Lm
Approx. MBCP	2060 cd
CRI	84
Color Temp. (Kelvin)	4000 K [CCT 4000K]

### • Electrical Characteristics

Wattage	10 W
Wattage Technical	10.0 W
Voltage	12 V

Line Frequency	50-60 Hz
Power Factor	0.8 -
Lamp Current mA	980 mA
Dimmable	Yes

### • Product Dimensions

Diameter D	50 mm
Overall Length C	53.7 mm
Overall Length C [inch]	2.116 (max) in

### • Product Data

Product number	414797
Full product name	10MR16/END/F24 4000 DIM10/1
Short product name	10MR16/END/F24 4000 DM10/1
Pieces per Sku	1
eop_pck_cfg	10
Skus/Case	10
Bar code on pack	46677414795
Bar code on case	50046677414790
Logistics code(s)	929000168802
eop_net_weight_pp	0.035 kg

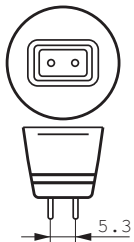
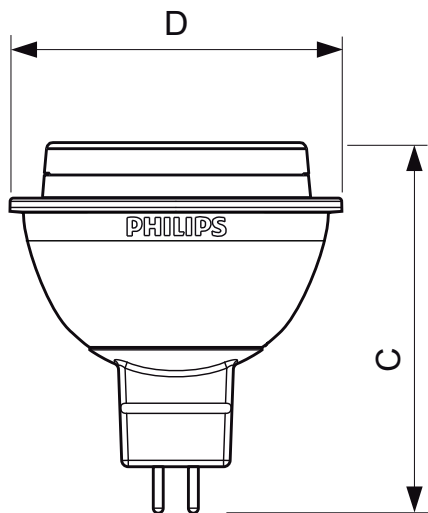
## Dimensional drawing



# PHILIPS

sense and simplicity

## Dimensional drawing



GU5.3

### 7-35W/10-50W, GU5.3, MR16, dimmable

Product	C (Norm)	D (Norm)
LED 10W GU5.3 4000K 12V MR16 24D Dimm	53.7	50



© 2012 Koninklijke Philips Electronics N.V.  
All rights reserved.

Specifications are subject to change without notice. Trademarks are the property of Koninklijke Philips Electronics N.V. or their respective owners.

[www.philips.com/lighting](http://www.philips.com/lighting)

2012, August 4  
data subject to change