

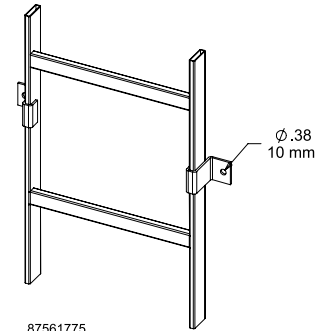
**VERTICAL WALL BRACKET**



Secures ladder rack section to wall or other flat surface. Made of steel with a painted or plated finish. Requires surface mounting hardware (not included).

BULLETIN: DCR

Catalog Number	Finish	Kit Qty.
LVWBG	Gray	2
LVWBB	Black	2
LVWBP	Plated	2
LVWW	White	2



87561775

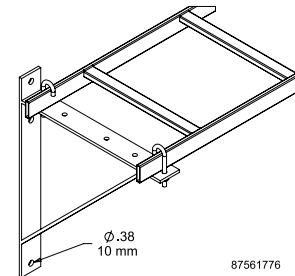
**TRIANGLE SUPPORT BRACKET KIT**



Supports ladder rack from wall. Bracket is made of steel with painted or plated finish. Brackets have predrilled mounting holes for two sizes of ladder rack. Includes one J-Bolt Kit.

BULLETIN: DCR

Catalog Number	Finish	Fits Cable Runway	Kit Qty.
LTSB12G	Gray	6, 12	1
LTSB12BLK	Black	6, 12	1
LTSB12GZ	Plated	6, 12	1
LTSB12W	White	6, 12	1
LTSB181524W	White	15, 18, 24	1
LTSB151824BLK	Black	15, 18, 24	1
LTSB18G	Gray	12, 18	1
LTSB18BLK	Black	12, 18	1
LTSB18GZ	Plated	12, 18	1
LTSB24BLK	Black	12, 18, 24	1



87561776