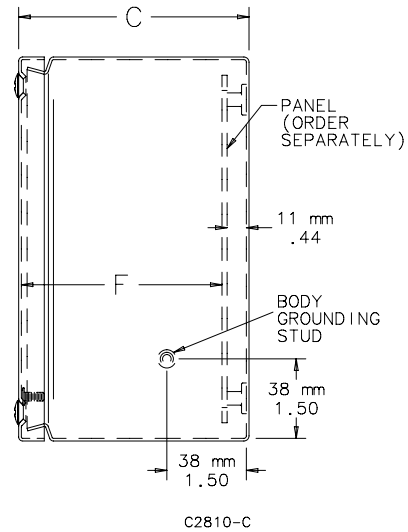
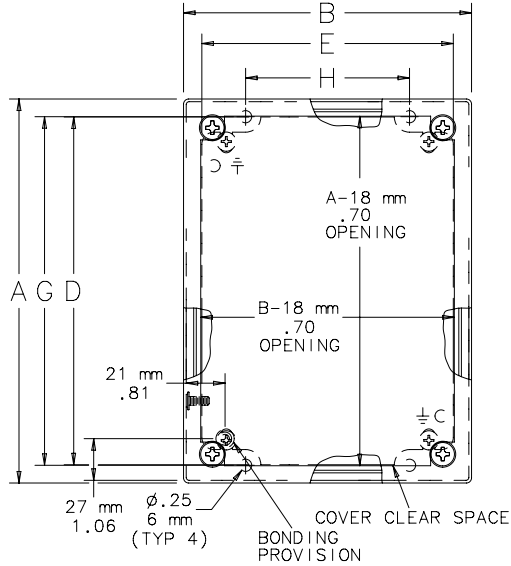


Standard Product **INLINE Screw-Cover EMC Enclosures**

Catalog Number	AxBxC mm/in.	Steel Panel	Conductive Steel Panel	Panel Size D x E mm/in.	Mounting G x H mm/in.	F mm/in.
LSC151512EMC	150 x 150 x 120 5.91 x 5.91 x 4.72	LP1515	LP1515G	131 x 131 5.16 x 5.16	132 x 85 5.20 x 3.35	105 4.13
LSC201512EMC	200 x 150 x 120 7.87 x 5.91 x 4.72	LP2015	LP2015G	181 x 131 7.13 x 5.16	182 x 85 7.17 x 3.35	105 4.13
LSC252015EMC	250 x 200 x 150 9.84 x 7.87 x 5.91	LP2520	LP2520G	231 x 181 9.09 x 7.13	232 x 135 9.13 x 5.31	135 5.31
LSC302515EMC	300 x 250 x 150 11.81 x 9.84 x 5.91	LP3025	LP3025G	281 x 231 11.06 x 9.09	282 x 185 11.10 x 7.28	135 5.31
LSC353020EMC	350 x 300 x 200 13.78 x 11.81 x 7.87	LP3530	LP3530G	331 x 281 13.03 x 11.06	332 x 235 13.07 x 9.25	185 7.28

Purchase panels separately.

INLINE Screw Cover Enclosure



NOTE: Rear mounting holes will accommodate M6-1.0 or 1/4-20 UNC mounting screws (supplied by customer)