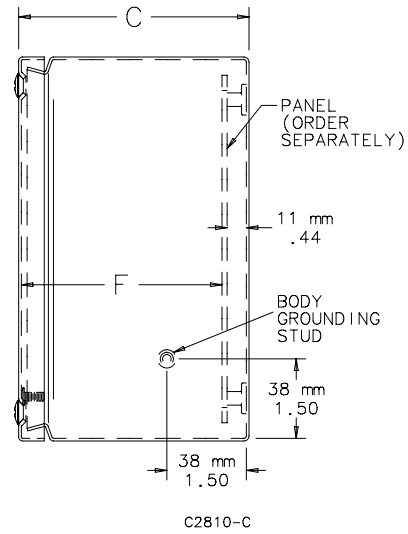
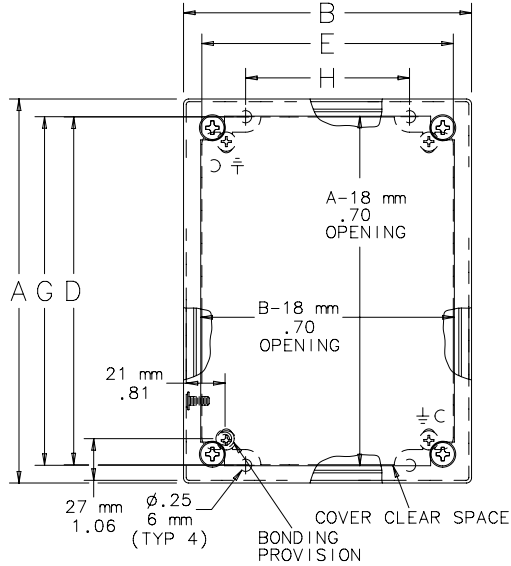


Standard Product **INLINE Screw-Cover EMC Enclosures**

| Catalog Number | AxBxC mm/in. | Steel Panel | Conductive Steel Panel | Panel Size D x E mm/in. | Mounting G x H mm/in. | F mm/in. |
|----------------|-----------------------------------------|-------------|------------------------|----------------------------|---------------------------|-------------|
| LSC151512EMC | 150 x 150 x 120 5.91 x 5.91 x 4.72 | LP1515 | LP1515G | 131 x 131 5.16 x 5.16 | 132 x 85 5.20 x 3.35 | 105 4.13 |
| LSC201512EMC | 200 x 150 x 120 7.87 x 5.91 x 4.72 | LP2015 | LP2015G | 181 x 131 7.13 x 5.16 | 182 x 85 7.17 x 3.35 | 105 4.13 |
| LSC252015EMC | 250 x 200 x 150 9.84 x 7.87 x 5.91 | LP2520 | LP2520G | 231 x 181 9.09 x 7.13 | 232 x 135 9.13 x 5.31 | 135 5.31 |
| LSC302515EMC | 300 x 250 x 150 11.81 x 9.84 x 5.91 | LP3025 | LP3025G | 281 x 231 11.06 x 9.09 | 282 x 185 11.10 x 7.28 | 135 5.31 |
| LSC353020EMC | 350 x 300 x 200 13.78 x 11.81 x 7.87 | LP3530 | LP3530G | 331 x 281 13.03 x 11.06 | 332 x 235 13.07 x 9.25 | 185 7.28 |

Purchase panels separately.

INLINE Screw Cover Enclosure



NOTE: Rear mounting holes will accommodate M6-1.0 or 1/4-20 UNC mounting screws (supplied by customer)