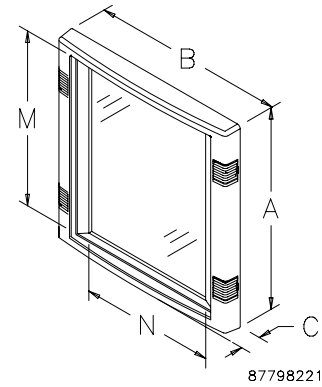


**FIXED-WINDOW KIT**


Aesthetic die-cast frame has .125-in.-thick clear polycarbonate window. Preassembled kit is secured to front opening of enclosure by mounting screws. Window frame caps conceal mounting screws. Frame has RAL 7035 light-gray textured polyester powder paint finish.

**BULLETIN: C3**



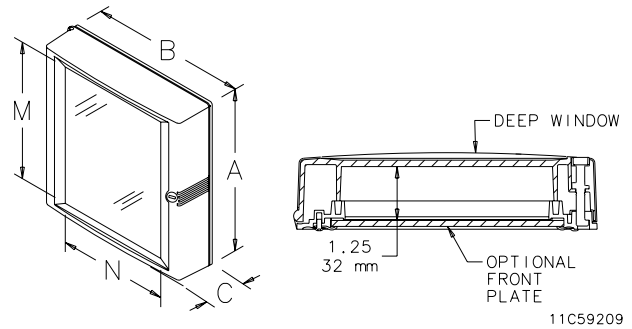
87798221

Catalog Number	AxBxC mm/in.	Window Size M x N mm/in.	Product Weight (lb.)
LWF2525	250 x 250 x 17 9.84 x 9.84 x 0.67	220 X 200 8.65 X 7.84	2.7

**DEEP-HINGED WINDOW**


Clear molded polycarbonate window has a 31.8-mm (1.25-in.) clear space between enclosure front opening and window surface. Space also accommodates equipment mounted on optional front plate. Window kit is hinged on left side with a 140-degree door opening and a quarter-turn slotted latch. Includes mounting hardware for window and optional front plate. Die-cast backing plate has a black polyester powder finish. This kit can be used as an accessory window kit on other Hoffman enclosures.

**BULLETIN: C3**



11C59209

Catalog Number	AxBxC mm/in.	Window Size M x N mm/in.	Accepts Front Plate	Product Weight (lb.)
LWHD1616	166 x 160 x 41 6.54 x 6.30 x 1.64	139 x 112 5.47 x 4.43	LFP1616	1.5
LWHD2525	250 x 250 x 41 9.84 x 9.84 x 1.64	223 x 202 8.78 x 7.97	LFP2525	2.8

Purchase front plate separately.