



Applications

Designed for use in corrosive environments to seal extra pushbutton holes, conduit openings, and knockout openings against dust, dirt, oil, and water. These hole seals are suitable for sealing enclosure openings in industries such as petroleum and chemical processing, wastewater processing, pulp and paper, outdoor monitoring, and any other industry exposed to harsh environments.

Features

- Innovative 3-in-1 self-centering design reduces inventory requirements; 4 models cover 12 common industry hole sizes ranging from 1/2 inch to 4 inches
- Non-metallic construction provides superior corrosion resistance for reliability in harsh environments
- Ideal for direct sunlight (eliminates fiberbloom associated with fiberglass)
- Chemically resistant to a broad range of chemicals
- Durable and impact resistant; resists cracking
- Sold in quantities of 2 per catalog number
- Cost-effective alternative to stainless steel
- Polyester material has a UL 94 rating of 5VA
- Easy to install; no tools required

Construction

- Thread and nut are constructed of non-glass filled polyester
- Oil resistant gasket

Finish

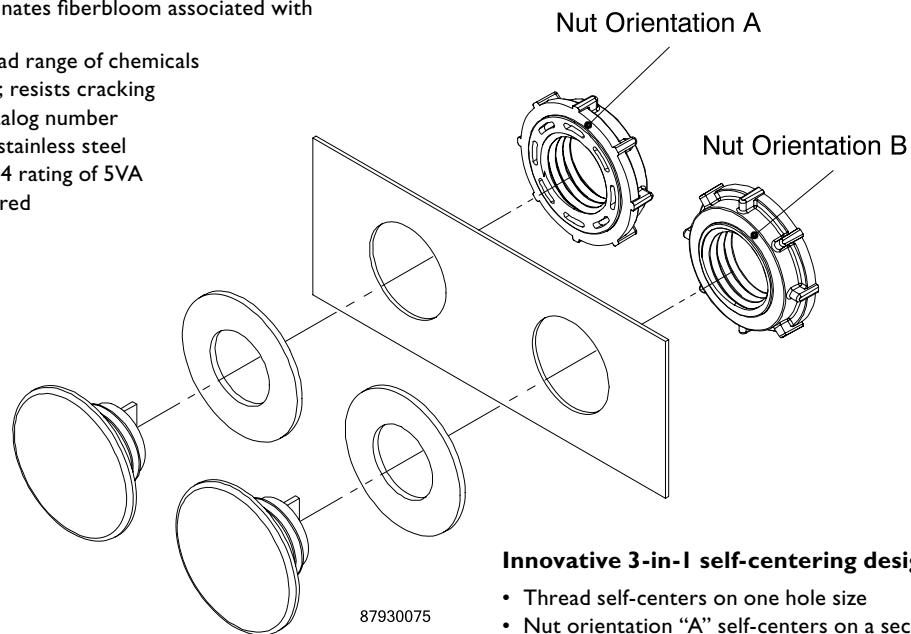
RAL 7035 light gray textured finish

Industry Standards

UL Component Recognized, File No. UL E61997: Type 3R, 4, 4X, I2, and I3

CSA File No. LR42186: Type 3R, 4, 4X, I2, and I3

IEC 60529, IP66



Innovative 3-in-1 self-centering design

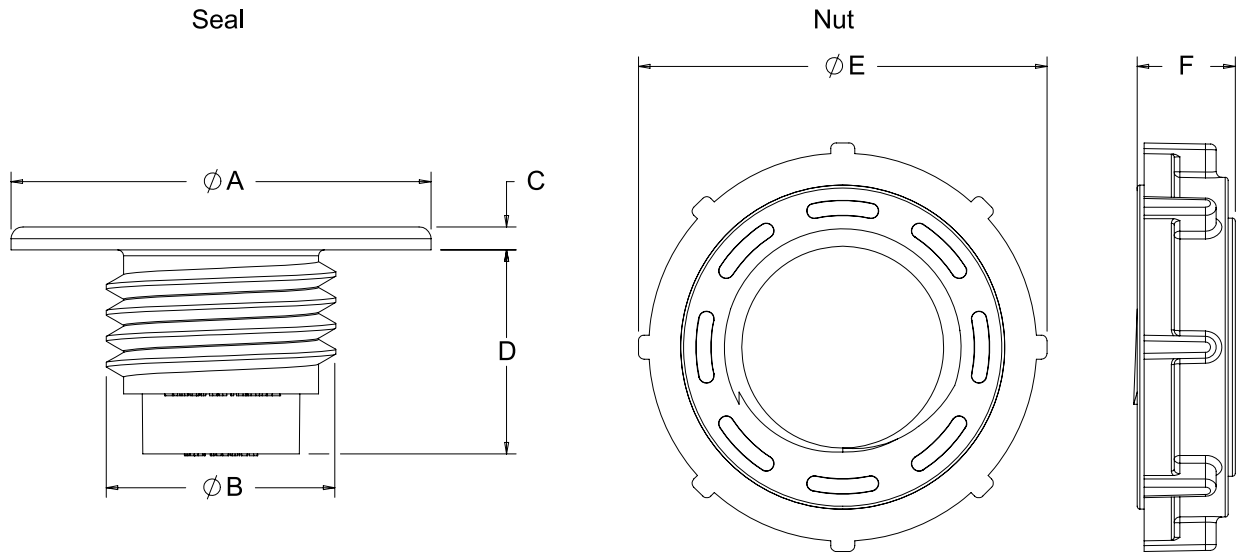
- Thread self-centers on one hole size
- Nut orientation "A" self-centers on a second hole size
- Nut orientation "B" self-centers on a third hole size

87930075

Standard Sizes Hol-Sealers Non-Metallic Hole Seals

Catalog Number	Qty.	A x B x C in. (mm)	D in. (mm)	E in. (mm)	F in. (mm)	Nut Orientation ^a	Fits	Min. Hole Diameter in. (mm)	Max. Hole Diameter in. (mm)	Non-Metallic Hole Seal Outside Diameter in. (mm)	Torque (in. lbs.)
ASPBO5075NM	2	1.56 x .85 x .12 (40 x 22 x 3)	1.28 (32)	1.48 (38)	.47 (12)	A	.5-in. conduit holes	.86 (22)	1.28 (33)	1.56 (40)	15
						A	22.5mm pushbutton holes	.88 (22)			
						A	.75-in. conduit holes	1.09 (28)			
ASPB100125NM	2	2.19 x 1.19 x .12 (56 x 30 x 3)	1.18 (30)	2.14 (54)	.51 (13)	A	30.5mm pushbutton holes	1.20 (31)	1.91 (49)	2.19 (56)	20
						B	1-inch conduit holes	1.36 (35)			
						A	1.25-inch conduit holes	1.70 (43)			
AS150200250NM	2	3.50 x 1.95 x .12 (89 x 49 x 3)	.95 (24)	3.42 (87)	.51 (13)	A	1.5-inch conduit holes	1.95 (50)	3.14 (80)	3.50 (89)	35
						B	2-inch conduit holes	2.38 (60)			
						A	2.5-inch conduit holes	2.88 (73)			
AS300350400NM	2	5.12 x 3.55 x .12 (130 x 90 x 3)	.81 (21)	5.05 (128)	.51 (13)	A	3-inch conduit holes	3.50 (89)	4.77 (121)	5.12 (130)	50
						B	3.5-inch conduit holes	4.00 (102)			
						A	4-inch conduit holes	4.50 (114)			

^a Refer to drawing on previous page



87929497