

PEDESTAL WITH LEGS

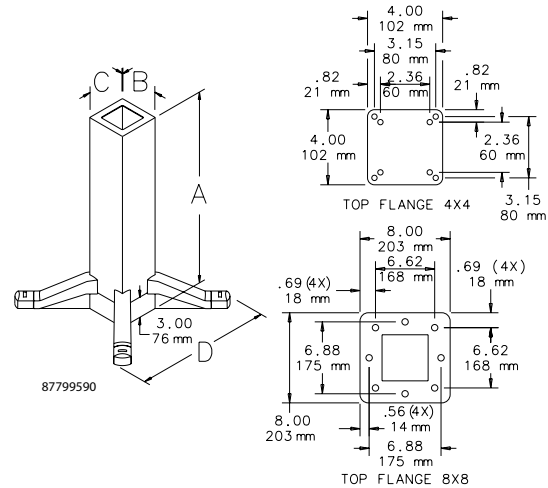


Pedestal is available in two heights. Vertical tube has rigid one-piece construction. Bottom of tube is open. Four sturdy, die-cast legs bolt to vertical tube. Legs have holes for bolting pedestal to the floor. Legs will accept casters in limited applications. Heavy-duty black polymer caps fit on ends of legs to cover bolts or levelers. Pedestal has ANSI 61 medium-gray or RAL 7035 textured light-gray polyester powder paint finish. Tapped mounting holes in the top of pedestal allow attachment to HMI base with cutout, swivel, swivel tilt or angle adapter. Hardware and gasket to attach enclosure are included.

- Use 4.00 x 4.00-in. (102 x 102-mm) pedestal with CONCEPT™ HMI and INLINE™ HMI Enclosures
- Use 8.00 x 8.00-in. (203 x 203-mm) pedestal with PROLINE™ Sloped-Front Enclosures

BULLETIN: P1

Catalog Number	AxBxC mm/in.	Finish	Description	D mm/in.
AP26L44	660 x 102 x 102 26.00 x 4.00 x 4.00	ANSI 61	Steel	600 23.62
AP26L44LG	660 x 102 x 102 26.00 x 4.00 x 4.00	RAL 7035	Steel	600 23.62
AP36L44	914 x 102 x 102 36.00 x 4.00 x 4.00	ANSI 61	Steel	600 23.62
AP36L44LG	914 x 102 x 102 36.00 x 4.00 x 4.00	RAL 7035	Steel	600 23.62
AP26L88	660 x 203 x 203 26.00 x 8.00 x 8.00	ANSI 61	Steel	702 27.62
AP26L88LG	660 x 203 x 203 26.00 x 8.00 x 8.00	RAL 7035	Steel	702 27.62
AP36L88	914 x 203 x 203 36.00 x 8.00 x 8.00	ANSI 61	Steel	702 27.62
AP36L88LG	914 x 203 x 203 36.00 x 8.00 x 8.00	RAL 7035	Steel	702 27.62



PEDESTAL



Mount pedestal to the floor or on accessory swivel casters. Coupling and base have RAL 7035 light-gray polyester powder paint finish. Anodized aluminum tube is 1000-mm high with a 45- x 60-mm tube cross section. The enclosure coupling has a 60- x 60-mm hole pattern.

BULLETIN: CC3

Catalog Number	Description
CCPED	Floor-mount pedestal or mount to swivel casters

