

**QLINE™ D, TYPE 4X**



**INDUSTRY STANDARDS**

**Polycarbonate Enclosure**

UL 508A Listed; Type 4, 4X, 6, 12, 13; File No. E61997  
 cUL Listed per CSA C22.2 No 94; Type 4, 4X, 6, 12, 13; File No. E61997  
 Enclosure flammability evaluated per UL 508A

NEMA/EEMAC Type 4, 4X, 6, 12, 13  
 CSA File No. 42186: Type 4, 4X, 6, 12, 13  
 IEC 60529, IP67

**ABS Enclosure**

NEMA/EEMAC Type 4, 4X, 6, 12, 13  
 IEC 60529, IP67

**APPLICATION**

QLINE™ D polycarbonate and ABS enclosures have contoured bodies with flush cover screws for an attractive, contemporary appearance. Tough as well as stylish, they are functional in corrosive environments and can withstand occasional submersion. The ABS series shares the same features and similar physical properties as the polycarbonate but is a more economical, non-UL rated alternative.

**SPECIFICATIONS**

- Body is impact-resistant polycarbonate for PCD series and ABS for ABD series
- Opaque and clear covers are impact-resistant polycarbonate for PCD series and ABS for ABD series
- Polycarbonate material is easily punched, drilled, filed or sawed
- Straight side walls permit ganging of multiple enclosures
- Cross-point captivated cover screws are stainless steel
- Mounting holes molded directly adjacent to cover screws
- Cover screws protected by removable caps that are aesthetic and provide tamper resistance
- Molded internal pads for mounting optional panels, rails and other components
- Panel mounting feature on both body and cover
- Seamless foam-in-place gasket assures water-tight and dust-tight seal
- Screws provided for mounting optional panel
- Material is halogen free

**FINISH**

Polycarbonate and ABS enclosures are light-gray (RAL 7035) inside and out. Optional panels are plated steel.

**ACCESSORIES**

*See also Accessories.*  
 Hardware Kit  
 Hinge Kit  
 HOL-SEALERS™ Non-Metallic Hole Seals  
 Mounting Bracket Kit

**MODIFICATION AND CUSTOMIZATION**

Hoffman excels at modifying and customizing products to your specifications. Contact your local Hoffman sales office or distributor for complete information.

**BULLETIN: Q41**

Standard Product **Polycarbonate**

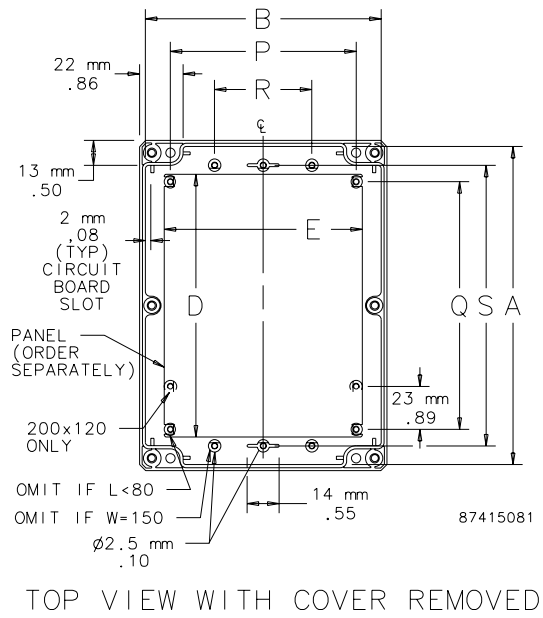
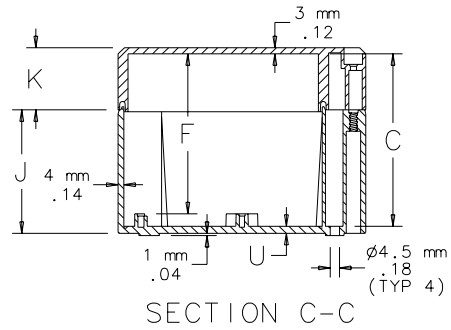
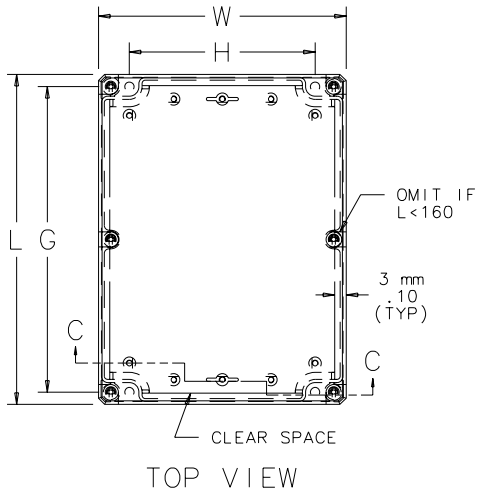
Catalog Number	AxBxC mm/in.	Cover Style	External Dimensions		Panel	Panel Size D x E mm/in.	Mounting G x H mm/in.	F mm/in.	J mm/in.	K mm/in.	P mm/in.	Q mm/in.	R mm/in.	S mm/in.	U mm/in.
			L x W mm/in.												
Q554PCD	50 x 48 x 31 1.97 x 1.89 x 1.22	Opaque	55 x 53 2.17 x 2.09	—	—	—	43 x 41 1.69 x 1.61	28 1.10	25 0.98	10 0.39	16 0.63	—	—	—	2 0.08
Q554PCDCC	50 x 48 x 31 1.97 x 1.89 x 1.22	Clear	55 x 53 2.17 x 2.09	—	—	—	43 x 41 1.69 x 1.61	28 1.10	25 0.98	10 0.39	16 0.63	—	—	—	2 0.08
Q886PCD	76 x 74 x 49 2.96 x 2.89 x 1.93	Opaque	82 x 80 3.23 x 3.15	Q88PD	68 x 55 2.68 x 2.17	70 x 50 2.76 x 1.97	42 1.65	40 1.57	15 0.59	58 2.28	44 1.73	—	—	58 2.28	3 0.12
Q886PCDCC	76 x 74 x 49 2.99 x 2.91 x 1.93	Clear	82 x 80 3.23 x 3.15	Q88PD	68 x 55 2.68 x 2.17	70 x 50 2.76 x 1.97	42 1.65	40 1.57	15 0.59	58 2.28	44 1.73	—	—	58 2.28	3 0.12
Q1286PCD	114 x 74 x 49 4.49 x 2.91 x 1.93	Opaque	120 x 80 4.72 x 3.15	Q128PD	91 x 65 3.58 x 2.56	108 x 50 4.25 x 1.97	42 1.65	40 1.57	15 0.59	58 2.28	82 3.23	—	—	96 3.78	3 0.12
Q1286PCDCC	114 x 74 x 49 4.49 x 2.91 x 1.93	Clear	120 x 80 4.72 x 3.15	Q128PD	91 x 65 3.58 x 2.56	108 x 50 4.25 x 1.97	42 1.65	40 1.57	15 0.59	58 2.28	82 3.23	—	—	96 3.78	3 0.12
Q1686PCD	154 x 74 x 49 6.06 x 2.91 x 1.93	Opaque	160 x 80 6.30 x 3.15	Q168PD	131 x 65 5.16 x 2.56	148 x 50 5.83 x 1.97	42 1.65	40 1.57	15 0.59	58 2.28	122 4.80	—	—	136 5.35	3 0.12
Q1686PCDCC	154 x 74 x 49 6.06 x 2.91 x 1.93	Clear	160 x 80 6.30 x 3.15	Q168PD	131 x 65 5.16 x 2.56	148 x 50 5.83 x 1.97	42 1.65	40 1.57	15 0.59	58 2.28	122 4.80	—	—	136 5.35	3 0.12
Q12126PCD	116 x 114 x 49 4.57 x 4.49 x 1.93	Opaque	122 x 120 4.80 x 4.72	Q1212PD	105 x 93 4.13 x 3.66	110 x 90 4.33 x 3.54	42 1.65	40 1.57	15 0.59	98 3.86	84 3.31	—	—	98 3.86	3 0.12
Q12126PCDCC	116 x 114 x 49 4.57 x 4.49 x 1.93	Clear	122 x 120 4.80 x 4.72	Q1212PD	105 x 93 4.13 x 3.66	110 x 90 4.33 x 3.54	42 1.65	40 1.57	15 0.59	98 3.86	84 3.31	—	—	98 3.86	3 0.12
Q20158PCD	193 x 143 x 69 7.60 x 5.63 x 2.72	Opaque	200 x 150 7.87 x 5.91	Q2015PD	170 x 128 6.69 x 5.04	188 x 120 7.40 x 4.72	62 2.44	60 2.36	15 0.59	118 4.65	160 6.30	118 4.65	118 4.65	176 6.93	3 0.12
Q20158PCDCC	193 x 143 x 69 7.60 x 5.63 x 2.72	Clear	200 x 150 7.87 x 5.91	Q2015PD	170 x 128 6.69 x 5.04	188 x 120 7.40 x 4.72	62 2.44	60 2.36	15 0.59	118 4.65	160 6.30	118 4.65	118 4.65	176 6.93	3 0.12
Q889PCD	76 x 74 x 79 2.99 x 2.91 x 3.11	Opaque	82 x 80 3.23 x 3.15	Q88PD	68 x 55 2.68 x 2.17	70 x 50 2.76 x 1.97	72 2.83	70 2.76	15 0.59	58 2.28	44 1.73	37 1.46	37 1.46	58 2.28	3 0.12
Q889PCDCC	76 x 74 x 79 2.99 x 2.91 x 3.11	Clear	82 x 80 3.23 x 3.15	Q88PD	68 x 55 2.68 x 2.17	70 x 50 2.76 x 1.97	72 2.83	70 2.76	15 0.59	58 2.28	44 1.73	37 1.46	37 1.46	58 2.28	3 0.12
Q1289PCD	113 x 73 x 79 4.45 x 2.87 x 3.11	Opaque	120 x 80 4.72 x 3.15	Q128PD	91 x 65 3.58 x 2.56	108 x 50 4.25 x 1.97	72 2.83	70 2.76	15 0.59	58 2.28	82 3.23	—	—	96 3.78	3 0.12
Q1289PCDCC	113 x 73 x 79 4.45 x 2.87 x 3.11	Clear	120 x 80 4.72 x 3.15	Q128PD	91 x 65 3.58 x 2.56	108 x 50 4.25 x 1.97	72 2.83	70 2.76	15 0.59	58 2.28	82 3.23	—	—	96 3.78	3 0.12
Q1689PCD	153 x 73 x 79 6.02 x 2.87 x 3.11	Opaque	160 x 80 6.30 x 3.15	Q168PD	131 x 65 5.16 x 2.56	148 x 50 5.83 x 1.97	72 2.83	70 2.76	15 0.59	58 2.28	122 4.80	—	—	136 5.35	3 0.12
Q1689PCDCC	153 x 73 x 79 6.02 x 2.87 x 3.11	Clear	160 x 80 6.30 x 3.15	Q168PD	131 x 65 5.16 x 2.56	148 x 50 5.83 x 1.97	72 2.83	70 2.76	15 0.59	58 2.28	122 4.80	—	—	136 5.35	3 0.12
Q12129PCD	116 x 114 x 79 4.57 x 4.49 x 3.11	Opaque	122 x 120 4.80 x 4.72	Q1212PD	105 x 93 4.13 x 3.66	110 x 90 4.33 x 3.54	72 2.83	70 2.76	15 0.59	98 3.86	84 3.31	97 3.82	97 3.82	98 3.86	3 0.12
Q12129PCDCC	116 x 114 x 79 4.57 x 4.49 x 3.11	Clear	122 x 120 4.80 x 4.72	Q1212PD	105 x 93 4.13 x 3.66	110 x 90 4.33 x 3.54	72 2.83	70 2.76	15 0.59	98 3.86	84 3.31	97 3.82	97 3.82	98 3.86	3 0.12
Q20129PCD	193 x 113 x 79 7.60 x 4.45 x 3.11	Opaque	200 x 120 7.87 x 4.72	Q2012PD	170 x 100 6.69 x 3.94	188 x 90 7.40 x 3.54	72 2.83	70 2.76	15 0.59	90 3.54	160 6.30	40 1.57	40 1.57	176 6.93	3 0.12
Q20129PCDCC	193 x 113 x 79 7.60 x 4.45 x 3.11	Clear	200 x 120 7.87 x 4.72	Q2012PD	170 x 100 6.69 x 3.94	188 x 90 7.40 x 3.54	72 2.83	70 2.76	15 0.59	90 3.54	160 6.30	40 1.57	40 1.57	176 6.93	3 0.12
Q30239PCD	293 x 223 x 79 11.54 x 8.78 x 3.11	Opaque	300 x 230 11.81 x 9.05	Q3023PD	265 x 210 10.43 x 8.27	288 x 200 11.34 x 7.87	73 2.87	55 2.17	30 1.18	198 7.80	255 10.04	160 6.30	160 6.30	275 10.83	4 0.16
Q30239PCDCC	293 x 223 x 79 11.54 x 8.78 x 3.11	Clear	300 x 230 11.81 x 9.05	Q3023PD	265 x 210 10.43 x 8.27	288 x 200 11.34 x 7.87	73 2.87	55 2.17	30 1.18	198 7.80	255 10.04	160 6.30	160 6.30	275 10.83	4 0.16
Q16129PCD	153 x 113 x 84 6.02 x 4.45 x 3.31	Opaque	160 x 120 6.30 x 4.72	Q1612PD	130 x 100 5.12 x 3.94	148 x 90 5.83 x 3.54	78 3.07	60 2.36	30 1.18	90 3.54	120 4.72	—	—	136 5.35	3 0.12
Q16129PCDCC	153 x 113 x 84 6.02 x 4.45 x 3.31	Clear	160 x 120 6.30 x 4.72	Q1612PD	130 x 100 5.12 x 3.94	148 x 90 5.83 x 3.54	78 3.07	60 2.36	30 1.18	90 3.54	120 4.72	—	—	136 5.35	3 0.12
Q24169PCD	233 x 153 x 84 9.17 x 6.02 x 3.31	Opaque	240 x 160 9.45 x 6.30	Q2416PD	211 x 148 8.31 x 5.83	228 x 130 8.98 x 5.12	78 3.07	75 2.95	15 0.59	138 5.43	202 7.95	75 2.95	75 2.95	215 8.46	4 0.16
Q24169PCDCC	233 x 153 x 84 9.17 x 6.02 x 3.31	Clear	240 x 160 9.45 x 6.30	Q2416PD	211 x 148 8.31 x 5.83	228 x 130 8.98 x 5.12	78 3.07	75 2.95	15 0.59	138 5.43	202 7.95	75 2.95	75 2.95	215 8.46	4 0.16
Q302311PCD	293 x 223 x 104 11.54 x 8.78 x 4.09	Opaque	300 x 230 11.81 x 9.06	Q3023PD	265 x 210 10.43 x 8.27	288 x 200 11.34 x 7.87	98 3.86	55 2.17	55 2.17	198 7.80	255 10.04	160 6.30	160 6.30	275 10.83	4 0.16
Q302311PCDCC	293 x 223 x 104 11.54 x 8.78 x 4.09	Clear	300 x 230 11.81 x 9.06	Q3023PD	265 x 210 10.43 x 8.27	288 x 200 11.34 x 7.87	98 3.86	55 2.17	55 2.17	198 7.80	255 10.04	160 6.30	160 6.30	275 10.83	4 0.16
Q241612PCD	233 x 153 x 114 9.17 x 6.02 x 4.49	Opaque	240 x 160 9.45 x 6.30	Q2416PD	211 x 148 8.31 x 5.83	228 x 130 8.98 x 5.12	108 4.25	75 2.95	45 1.77	75 2.95	202 7.95	75 2.95	75 2.95	215 8.46	4 0.16
Q241612PCDCC	233 x 153 x 114 9.17 x 6.02 x 4.49	Clear	240 x 160 9.45 x 6.30	Q2416PD	211 x 148 8.31 x 5.83	228 x 130 8.98 x 5.12	108 4.25	75 2.95	45 1.77	75 2.95	202 7.95	75 2.95	75 2.95	215 8.46	4 0.16

A x B x C are internal dimensions.

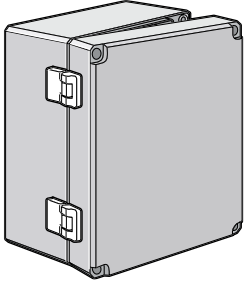
Purchase panels separately.

Standard Product **ABS**

Catalog Number	AxBxC mm/in.	Cover Style	External Dimensions		Panel Size D x E mm/in.	Mtg. G x H mm/in.	F mm/in.	J mm/in.	K mm/in.	P mm/in.	Q mm/in.	R mm/in.	S mm/in.	U mm/in.
			L x W mm/in.	Panel										
Q554ABD	50 x 48 x 31 1.97 x 1.89 x 1.22	Opaque	55 x 53 2.17 x 2.09	—	—	43 x 41 1.69 x 1.61	28 1.10	25 .98	10 .39	16 .63	—	—	—	2 .08
Q554ABDCC	50 x 48 x 31 1.97 x 1.89 x 1.22	Clear	55 x 53 2.17 x 2.09	—	—	43 x 41 1.69 x 1.61	28 1.10	25 .98	10 .39	16 .63	—	—	—	2 .08
Q886ABD	76 x 74 x 49 2.99 x 2.91 x 1.93	Opaque	82 x 80 3.23 x 3.15	Q88PD	68 x 55 2.68 x 2.17	70 x 50 2.76 x 2.17	42 1.65	40 1.57	15 .59	58 2.28	44 1.73	—	58 2.28	3 .12
Q886ABDCC	76 x 74 x 49 2.99 x 2.91 x 1.93	Clear	82 x 80 3.23 x 3.15	Q88PD	68 x 55 2.68 x 2.17	70 x 50 2.76 x 2.17	42 1.65	40 1.57	15 .59	58 2.28	44 1.73	—	58 2.28	3 .12
Q1286ABD	114 x 74 x 49 4.49 x 2.91 x 1.93	Opaque	120 x 80 4.72 x 3.15	Q128PD	91 x 65 3.58 x 2.56	108 x 50 4.25 x 1.97	42 1.65	40 1.57	15 .59	58 2.28	82 3.23	—	96 3.78	3 .12
Q1286ABDCC	114 x 74 x 49 4.49 x 2.91 x 1.93	Clear	120 x 80 4.72 x 3.15	Q128PD	91 x 65 3.58 x 2.56	108 x 50 4.25 x 1.97	42 1.65	40 1.57	15 .59	58 2.28	82 3.23	—	96 3.78	3 .12
Q1686ABD	154 x 74 x 49 6.06 x 2.91 x 1.93	Opaque	160 x 80 6.30 x 3.15	Q168PD	131 x 65 5.16 x 2.56	148 x 50 5.83 x 1.97	42 1.65	40 1.57	15 .59	58 2.28	122 4.80	—	136 5.35	3 .12
Q1686ABDCC	154 x 74 x 49 6.06 x 2.91 x 1.93	Clear	160 x 80 6.30 x 3.15	Q168PD	131 x 65 5.16 x 2.56	148 x 50 5.83 x 1.97	42 1.65	40 1.57	15 .59	58 2.28	122 4.80	—	136 5.35	3 .12
Q12126ABD	116 x 114 x 49 4.57 x 4.49 x 1.93	Opaque	122 x 120 4.80 x 4.72	Q1212PD	105 x 93 4.13 x 3.66	110 x 90 4.33 x 3.54	42 1.65	40 1.57	15 .59	98 3.86	84 3.31	—	98 3.86	3 .12
Q12126ABDCC	116 x 114 x 49 4.57 x 4.49 x 1.93	Clear	122 x 120 4.80 x 4.72	Q1212PD	105 x 93 4.13 x 3.66	110 x 90 4.33 x 3.54	42 1.65	40 1.57	15 .59	98 3.86	84 3.31	—	98 3.86	3 .12
Q20158ABD	193 x 143 x 69 7.60 x 5.63 x 2.72	Opaque	200 x 150 7.87 x 5.91	Q2015PD	170 x 128 6.69 x 5.04	188 x 120 7.40 x 4.72	62 2.44	60 2.36	15 .59	118 4.65	160 6.30	118 4.65	176 6.93	3 .12
Q20158ABDCC	193 x 143 x 69 7.60 x 5.63 x 2.72	Clear	200 x 150 7.87 x 5.91	Q2015PD	170 x 128 6.69 x 5.04	188 x 120 7.40 x 4.72	62 2.44	60 2.36	15 .59	118 4.65	160 6.30	118 4.65	176 6.93	3 .12
Q889ABD	76 x 74 x 79 2.99 x 2.91 x 3.11	Opaque	82 x 80 3.23 x 3.15	Q88PD	68 x 55 2.68 x 2.17	70 x 50 2.76 x 1.97	72 2.83	70 2.76	15 .59	58 2.28	44 1.73	37 1.46	58 2.28	3 .12
Q889ABDCC	76 x 74 x 79 2.99 x 2.91 x 3.11	Clear	82 x 80 3.23 x 3.15	Q88PD	68 x 55 2.68 x 2.17	70 x 50 2.76 x 1.97	72 2.83	70 2.76	15 .59	58 2.28	44 1.73	37 1.46	58 2.28	3 .12
Q1289ABD	113 x 73 x 79 4.45 x 2.87 x 3.11	Opaque	120 x 80 4.72 x 3.15	Q128PD	91 x 65 3.58 x 2.56	108 x 50 4.25 x 1.97	72 2.83	70 2.76	15 .59	58 2.28	82 3.23	—	58 2.28	3 .12
Q1289ABDCC	113 x 73 x 79 4.45 x 2.87 x 3.11	Clear	120 x 80 4.72 x 3.15	Q128PD	91 x 65 3.58 x 2.56	108 x 50 4.25 x 1.97	72 2.83	70 2.76	15 .59	58 2.28	82 3.23	—	58 2.28	3 .12
Q1689ABD	153 x 73 x 79 6.02 x 2.87 x 3.11	Opaque	160 x 80 6.30 x 3.15	Q168PD	131 x 65 5.16 x 2.56	148 x 50 5.83 x 1.97	72 2.83	70 2.76	15 .59	58 2.28	122 4.80	—	136 5.35	3 .12
Q1689ABDCC	153 x 73 x 79 6.02 x 2.87 x 3.11	Clear	160 x 80 6.30 x 3.15	Q168PD	131 x 65 5.16 x 2.56	148 x 50 5.83 x 1.97	72 2.83	70 2.76	15 .59	58 2.28	122 4.80	—	136 5.35	3 .12
Q12129ABD	116 x 114 x 79 4.57 x 4.49 x 3.11	Opaque	122 x 120 4.80 x 4.72	Q1212PD	105 x 93 4.13 x 3.66	110 x 90 4.33 x 3.54	72 2.83	70 2.76	15 .59	98 3.86	84 3.31	97 3.82	98 3.86	3 .12
Q12129ABDCC	116 x 114 x 79 4.57 x 4.49 x 3.11	Clear	122 x 120 4.80 x 4.72	Q1212PD	105 x 93 4.13 x 3.66	110 x 90 4.33 x 3.54	72 2.83	70 2.76	15 .59	98 3.86	84 3.31	97 3.82	98 3.86	3 .12
Q20129ABD	193 x 113 x 79 7.60 x 4.45 x 3.11	Opaque	200 x 120 7.87 x 4.72	Q2012PD	170 x 100 6.69 x 3.94	188 x 90 7.40 x 3.54	72 2.83	70 2.76	15 .59	90 3.54	160 6.30	40 1.67	176 6.93	3 .12
Q20129ABDCC	193 x 113 x 79 7.60 x 4.45 x 3.11	Clear	200 x 120 7.87 x 4.72	Q2012PD	170 x 100 6.69 x 3.94	188 x 90 7.40 x 3.54	72 2.83	70 2.76	15 .59	90 3.54	160 6.30	40 1.67	176 6.93	3 .12
Q30239ABD	293 x 223 x 79 11.54 x 8.78 x 3.11	Opaque	300 x 230 11.81 x 9.05	Q3023PD	265 x 210 10.43 x 8.27	288 x 200 11.34 x 7.87	73 2.87	55 2.17	30 1.18	198 7.80	255 10.04	160 6.30	275 10.83	4 .16
Q30239ABDCC	293 x 223 x 79 11.54 x 8.78 x 3.11	Clear	300 x 230 11.81 x 9.05	Q3023PD	265 x 210 10.43 x 8.27	288 x 200 11.34 x 7.87	73 2.87	55 2.17	30 1.18	198 7.80	255 10.04	160 6.30	275 10.83	4 .16
Q16129ABD	153 x 113 x 84 6.02 x 4.45 x 3.31	Opaque	160 x 120 6.30 x 4.72	Q1612PD	130 x 100 5.12 x 3.94	148 x 90 5.83 x 3.54	78 3.07	60 2.36	30 1.18	120 3.54	—	—	136 5.35	3 .12
Q16129ABDCC	153 x 113 x 84 6.02 x 4.45 x 3.31	Clear	160 x 120 6.30 x 4.72	Q1612PD	130 x 100 5.12 x 3.94	148 x 90 5.83 x 3.54	78 3.07	60 2.36	30 1.18	120 3.54	—	—	136 5.35	3 .12
Q24169ABD	233 x 153 x 84 9.17 x 6.02 x 3.31	Opaque	240 x 160 9.45 x 6.30	Q2416PD	211 x 148 8.31 x 5.83	228 x 130 8.98 x 5.12	78 3.07	75 2.95	15 .59	138 5.43	202 7.95	75 2.95	215 8.46	4 .16
Q24169ABDCC	233 x 153 x 84 9.17 x 6.02 x 3.31	Clear	240 x 160 9.45 x 6.30	Q2416PD	211 x 148 8.31 x 5.83	228 x 130 8.98 x 5.12	78 3.07	75 2.95	15 .59	138 5.43	202 7.95	75 2.95	215 8.46	4 .16
Q302311ABD	293 x 223 x 104 11.54 x 8.78 x 4.09	Opaque	300 x 230 11.81 x 9.06	Q3023PD	265 x 210 10.43 x 8.27	288 x 200 11.34 x 7.87	98 3.86	55 2.17	55 2.17	198 7.80	255 10.04	160 6.30	275 10.83	4 .16
Q302311ABDCC	293 x 223 x 104 11.54 x 8.78 x 4.09	Clear	300 x 230 11.81 x 9.06	Q3023PD	265 x 210 10.43 x 8.27	288 x 200 11.34 x 7.87	98 3.86	55 2.17	55 2.17	198 7.80	255 10.04	160 6.30	275 10.83	4 .16
Q241612ABD	233 x 153 x 114 9.17 x 6.02 x 4.49	Opaque	240 x 160 9.45 x 6.30	Q2416PD	211 x 148 8.31 x 5.83	228 x 130 8.98 x 5.12	108 4.25	75 2.95	45 1.77	75 2.95	202 7.95	75 2.95	215 8.46	4 .16
Q241612ABDCC	223 x 153 x 114 9.17 x 6.02 x 4.49	Clear	240 x 160 9.45 x 6.30	Q2416PD	211 x 148 8.31 x 5.83	228 x 130 8.98 x 5.12	108 4.25	75 2.95	45 1.77	75 2.95	202 7.95	75 2.95	215 8.46	4 .16



**HINGE KIT**

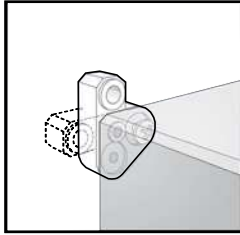


Hinge Kit includes two polyamide hinges, eight M4 self-tapping, plated screws, eight flat washers and drilling templates. Use on all QLINE™ D enclosures. *Hinge Kit meets Type 4 requirements.*

**BULLETIN: Q41Y**

Catalog Number
QDEHK

**MOUNTING BRACKET KIT**

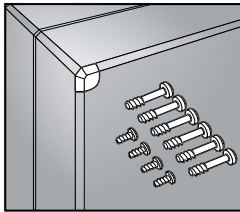


Mounting Bracket Kit has four polycarbonate brackets and four M4 self-tapping, plated screws. Kit is field-installable. Use on all QLINE™ D enclosures. Maintains listed ratings for enclosure.

**BULLETIN: Q41Y**

Catalog Number
QDMFK

**HARDWARE KIT**

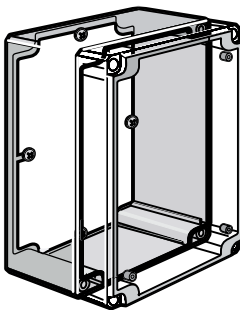


Hardware Kit includes six self-tapping, stainless steel cover screws, four self-tapping plated panel screws and six removable plastic caps that fit over the screws to provide tamper resistance as well as a clean aesthetic appearance. This kit is offered as a replacement kit for lost or damaged hardware originally furnished with the enclosure.

**BULLETIN: Q41Y**

Catalog Number
QDHK

**PANELS**



**BULLETIN: Q41Y**

Catalog Number	Panel Size D x E mm/in.	Mounting G x H mm/in.
Q88PD	65 x 55 2.56 x 2.17	44 x 60 1.71 x 2.28
Q128PD	93 x 65 3.66 x 2.56	82 x 60 3.21 x 2.28
Q168PD	133 x 65 5.24 x 2.56	121 x 60 4.78 x 2.28
Q1212PD	105 x 95 4.13 x 3.74	98 x 84 3.86 x 3.29
Q1612PD	132 x 105 5.20 x 4.13	160 x 90 6.30 x 3.54
Q2012PD	172 x 105 6.77 x 4.13	160 x 90 6.30 x 3.54
Q2015PD	172 x 133 6.77 x 5.24	160 x 118 6.30 x 4.65
Q2416PD	213 x 145 8.38 x 5.71	201 x 138 7.93 x 5.43
Q3023PD	285 x 210 11.22 x 8.27	255 x 198 10.04 x 7.50

## Notes