

PROLINE™ GOLD SERIES COMPUTER WORKSTATION, TYPE 12



SPECIFICATIONS

- 14 gauge steel body
- 14 and 16 gauge steel doors and covers
- Seams continuously welded and ground smooth
- Seamless foam-in-place gasket on all doors and covers
- Smoke gray 0.25-in.-thick polycarbonate window on upper front door
- Quarter-turn latches on upper front door for 1400-mm high cabinets
- PROLINE latching system and keylocking swing door handles on upper front door for 1600- and 1800-mm high cabinets
- Solid lower front and full rear doors with keylocking swing door handles
- Internal rails facilitate mounting of PROLINE internal components
- Options include solid upper front door and solid front and rear covers with screw fasteners
- Full rear opening provides maximum mounting space and easy access to interior components
- Optional partial subpanel
- Hinges on bottom for 1400-mm enclosures
- Solid centerpost on front for 1200-mm enclosures

FINISH

Cabinet finish is RAL 7035 textured light-gray polyester powder paint. Keyboard door finish is RAL 9005 textured black polyester powder paint.

INDUSTRY STANDARDS

UL 508A Listed; Type 12; File Number E61997
cUL Listed per CSA C22.2 No 94; Type 12; File No. E61997

NEMA/EEMAC Type 12
IEC 60529, IP55

APPLICATION

The PROLINE™ Gold Series Computer Workstation is a full-featured, off-the-shelf solution for protecting PC computer systems. Made with sturdy unibody construction, the enclosure accommodates a complete range of accessories.

ACCESSORIES

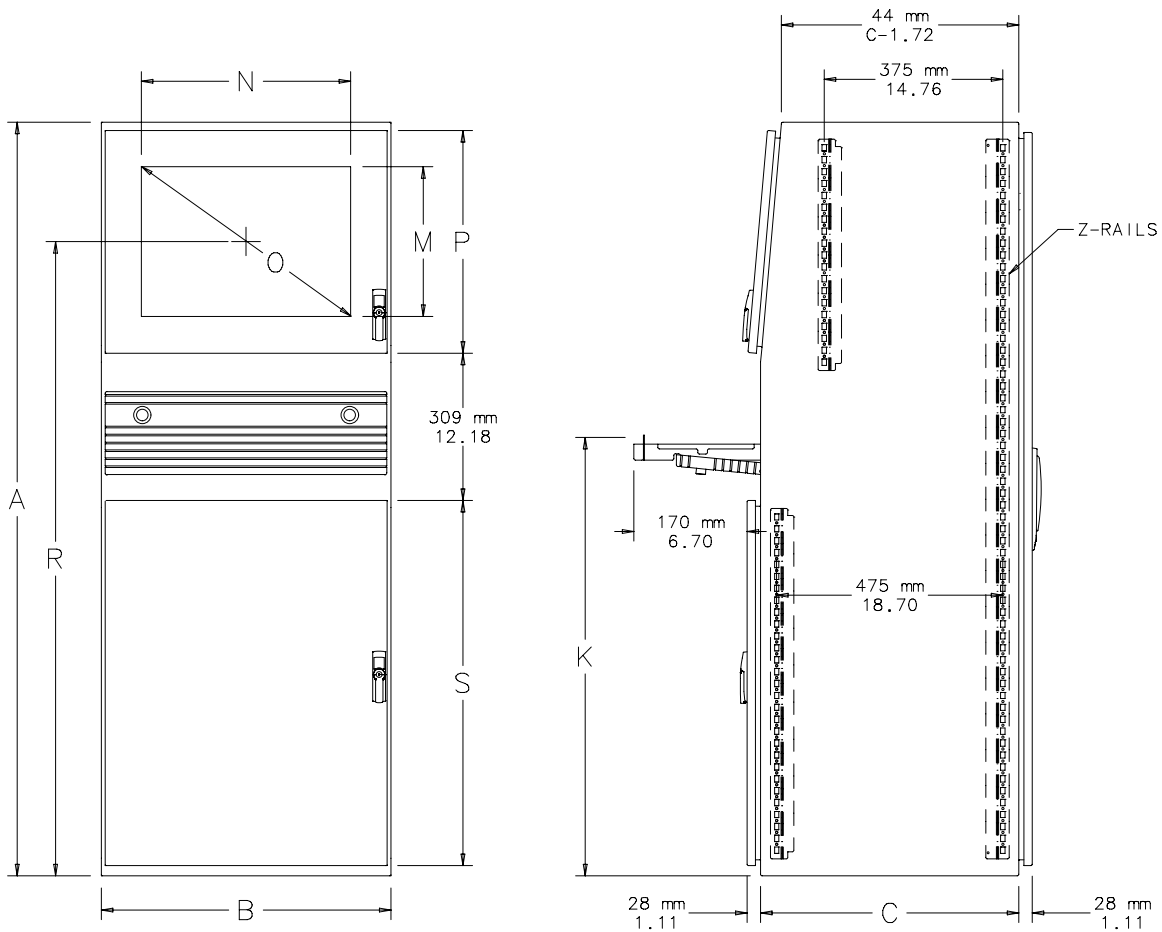
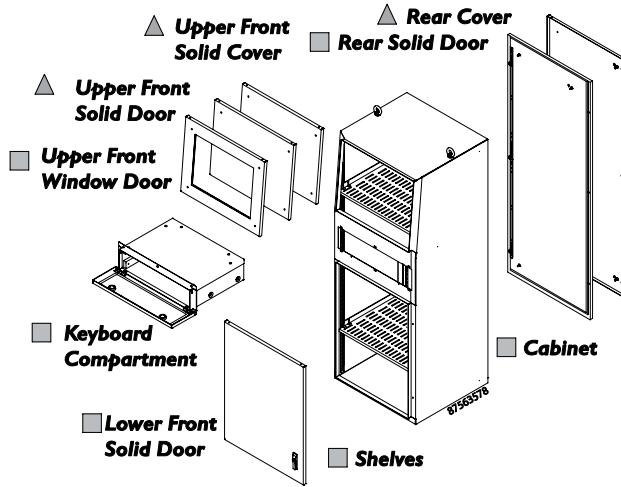
- See also Accessories.
- Caster Kit
- Industrial Corrosion Inhibitors
- Thermoplastic Data Pocket
- Electric Heater
- Compact Cooling Fans
- Grid Straps
- Flush Swing Handles
- Key Inserts
- 180-Degree Hinge Kit
- Perforated Panels
- 19-in. Rack Angles

BULLETIN: P10

Standard Product **Computer Workstation, Type 12**

Catalog Number	AxBxC mm/in.	Nominal Size Height	Nominal Size Width	Nominal Size Depth	K mm/in.	M mm/in.	N mm/in.	O mm/in.	P mm/in.	R mm/in.	S mm/in.	Top Door Opening Height mm/in.	Top Door Opening Width mm/in.	Bottom Door Opening Height mm/in.	Bottom Door Opening Width mm/in.	Rear Door Opening Height mm/in.	Rear Door Opening Width mm/in.
PGLD1466CWS	1526 x 608 x 542 60.08 x 23.94 x 21.34	1400	600	600	886 34.88	319 12.56	440 17.32	544 21.42	471 18.54	1288 50.71	759 29.88	406 16.00	536 21.10	709 27.91	536 21.10	1454 57.25	536 21.10
PGLD1468CWS	1526 x 608 x 742 60.08 x 23.94 x 29.21	1400	600	800	886 34.88	319 12.56	440 17.32	544 21.42	471 18.54	1288 50.71	759 29.88	406 16.00	536 21.10	709 27.91	536 21.10	1454 57.25	536 21.10
PGLD1486CWS	1526 x 808 x 542 60.08 x 31.81 x 21.34	1400	800	600	886 34.88	319 12.56	640 25.20	715 28.15	471 18.54	1288 50.71	759 29.88	406 16.00	736 28.98	709 27.91	736 28.98	1454 57.25	736 28.98
PGLD1666CWS	1583 x 608 x 542 62.32 x 23.94 x 21.34	1600	600	600	916 36.06	316 12.44	440 17.32	542 21.34	468 18.43	1331 52.40	766 30.16	436 17.17	536 21.10	739 29.09	536 21.10	1511 59.49	536 21.10
PGLD1668CWS	1583 x 608 x 742 62.32 x 23.94 x 29.21	1600	600	800	916 36.06	316 12.44	440 17.32	542 21.34	468 18.43	1331 52.40	766 30.16	436 17.17	536 21.10	739 29.09	536 21.10	1511 59.49	536 21.10
PGLD1686CWS	1583 x 808 x 542 62.32 x 31.81 x 21.34	1600	800	600	916 36.06	316 12.44	640 25.20	714 28.11	468 18.43	1331 52.40	766 30.16	436 17.17	736 28.98	739 29.09	736 28.98	1511 59.49	736 28.98
PGLD1866CWS	1785 x 608 x 552 70.19 x 23.94 x 21.74	1800	600	600	916 36.06	517 20.35	440 17.32	679 26.73	669 26.34	1431 56.34	766 30.16	637 25.08	536 21.10	739 29.09	536 21.10	1711 67.36	536 21.10
PGLD1868CWS	1785 x 608 x 742 70.28 x 23.94 x 29.21	1800	600	800	916 36.06	517 20.35	440 17.32	679 26.73	669 26.34	1431 56.34	766 30.16	637 25.08	536 21.10	739 29.09	536 21.10	1711 67.36	536 21.10
PGLD1886CWS	1785 x 809 x 542 70.28 x 31.81 x 21.34	1800	800	600	916 36.06	517 20.35	640 25.20	823 32.40	669 26.34	1431 56.34	766 30.16	637 25.08	736 28.98	739 29.09	736 28.98	1711 67.36	736 29.98

- | Standard Configuration | Optional Components |
|--|---|
| <ul style="list-style-type: none"> ■ Cabinet ■ Keyboard compartment ■ Shelf (2) ■ Upper front window door ■ Lower front solid door ■ Rear solid door ■ Lifting eyes | <ul style="list-style-type: none"> ▲ Upper front solid door ▲ Upper front solid cover ▲ Rear Cover |

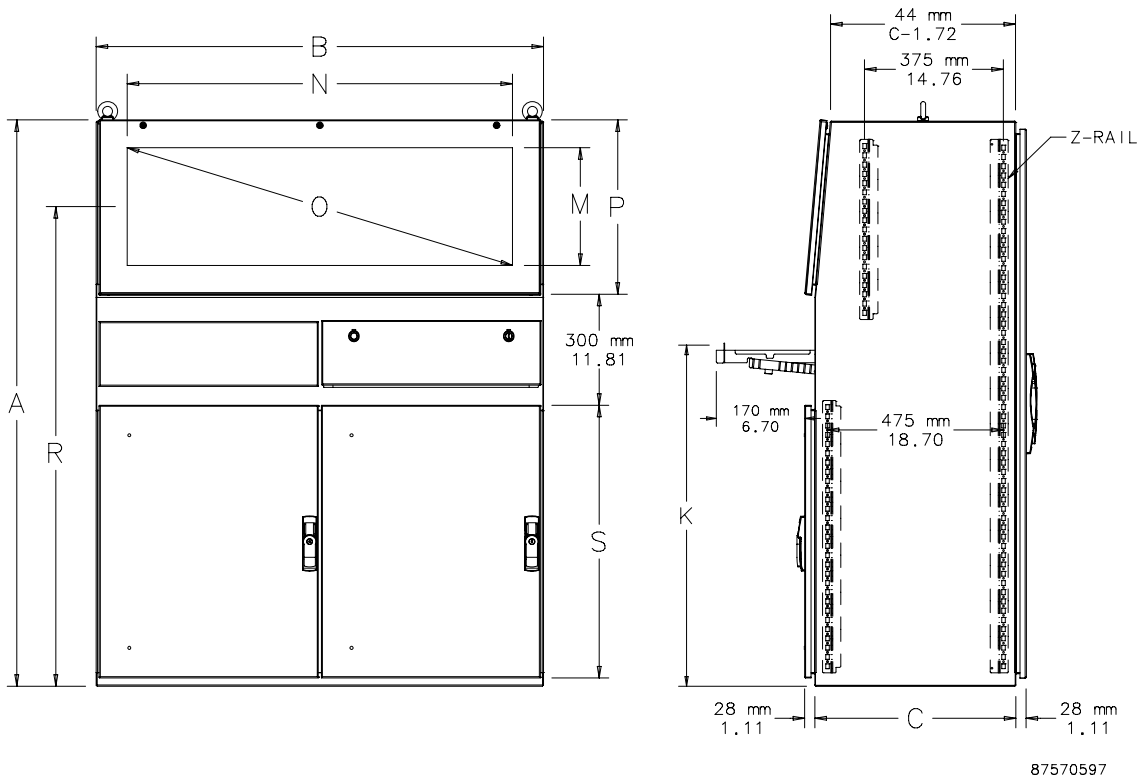
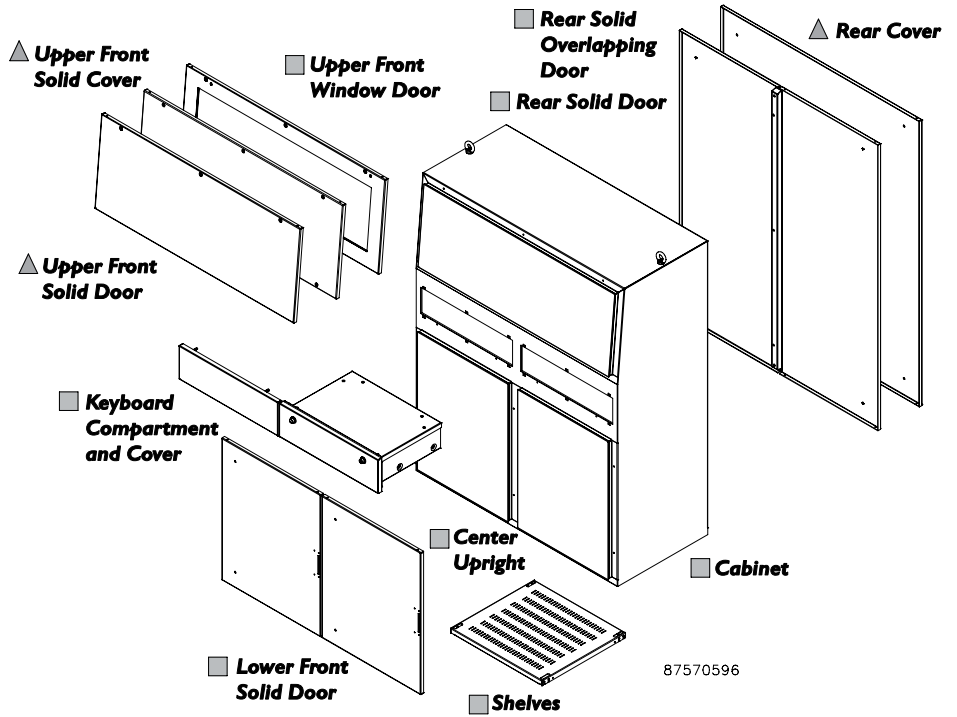


87563579

Standard Product 1200-mm Enclosure

Catalog Number	AxBxC mm/in.	Nominal Size Height	Nominal Size Width	Nominal Size Depth	K mm/in.	M mm/in.	N mm/in.	O mm/in.	P mm/in.	R mm/in.	S mm/in.	Top Door Opening Height mm/in.	Top Door Opening Width mm/in.	Bottom Door Opening Height mm/in.	Bottom Door Opening Width mm/in.	Rear Door Opening Height mm/in.	Rear Door Opening Width mm/in.
PGLD14126CWS	1526 x 1208 x 542 60.08 x 47.56 x 21.34	1400	1200	600	886 34.88	319 12.56	1040 40.94	1088 42.83	471 18.54	1288 50.71	759 29.88	406 16.00	1136 44.72	709 27.91	536 21.10	1454 57.25	1136 44.72

- **Standard Configuration**
 - Cabinet
 - Keyboard compartment
 - Keyboard compartment is on the right side and cover is on the left side
 - Shelf (4)
 - Upper front window door
 - Lower front solid door
 - Rear solid overlapping door
 - Center upright
 - Lifting eyes
- ▲ **Optional Components**
 - ▲ Upper front solid door
 - ▲ Upper front solid cover
 - ▲ Rear Cover

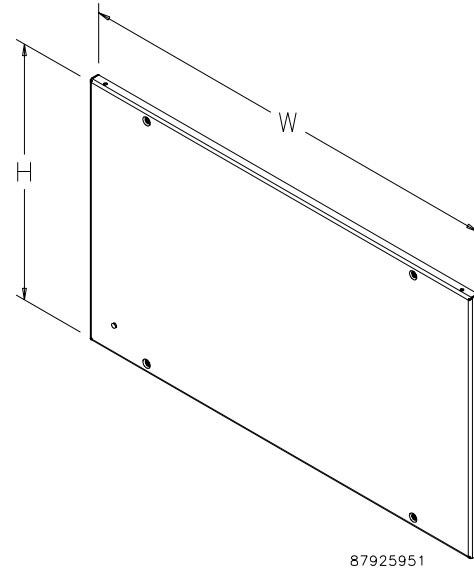


SOLID COVERS **A-T-O**

Covers are available for upper front and rear openings. Covers mount with screws provided. Material is 16 gauge steel (14 gauge for 800-mm widths) with RAL 7035 textured light-gray polyester powder paint finish.

BULLETIN: P10, P20

Catalog Number	Use on Opening	H (mm)	H (in.)	W (mm)	W (in.)	Fits Console A x B
PCS46CWS	Upper Front	471	18.54	592	23.31	1400 x 600
PCS48CWS	Upper Front	471	18.54	792	31.18	1400 x 800
PCS412GLD	Upper Front	471	18.54	1192	46.93	1400 x 1200
PCS56CWS	Upper Front	468	18.43	592	23.31	1600 x 600
PCS58CWS	Upper Front	468	18.43	792	31.18	1600 x 800
PCS66CWS	Upper Front	669	26.34	592	23.31	1800 x 600
PCS68CWS	Upper Front	669	26.34	792	31.18	1800 x 800
PCS146GLD	Rear	1482	58.35	592	23.31	1400 x 600
PCS1412GLD	Rear	1482	58.35	1196	47.10	1400 x 1200
PCS166	Rear	1539	60.59	592	23.31	1600 x 600
PCS168	Rear	1539	60.59	792	31.18	1600 x 800
PCS186	Rear	1739	68.46	592	23.31	1800 x 600
PCS188	Rear	1739	68.46	792	31.18	1800 x 800

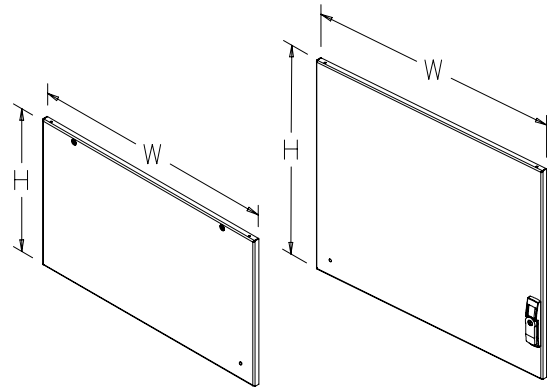


SOLID DOORS **A-T-O**

PROLINE-style upper front doors have 140-degree hidden hinges and locking swing handle. Material is 16 gauge steel (14 gauge for 800-mm widths) with RAL 7035 textured light-gray polyester powder paint finish.

BULLETIN: P10

Catalog Number	H x W (mm)	H x W (in.)	Fits Console A x B
PDS46GLD	471 x 592	18.54 x 23.30	1400 x 600
PDS48GLD	471 x 792	18.54 x 31.18	1400 x 800
PDS412GLD	471 x 1192	18.54 x 46.93	1400 x 1200
PDS56GLD	468 x 592	18.43 x 23.31	1600 x 600
PDS58GLD	468 x 792	18.43 x 31.18	1600 x 800
PDS66GLD	669 x 592	26.34 x 23.31	1800 x 600
PDS68GLD	669 x 792	26.34 x 31.18	1800 x 800



1400mm TALL 1600/1800mm TALL

87925950