

TOOL-LESS SHELF

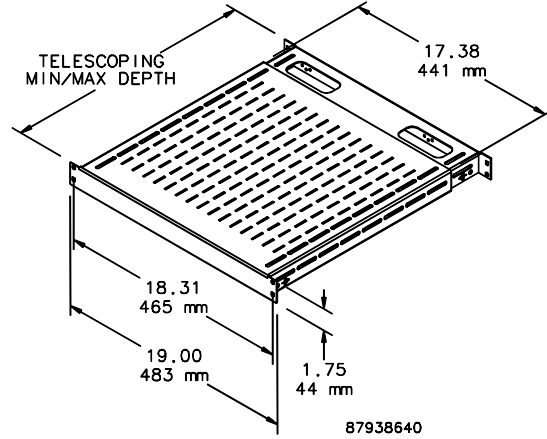


An easy-to-install tool-less vented 19-in. shelf. Mounts onto rack angles that have EIA-spaced square holes (.375 in.). Shelf slides open and provides a variable-sized, continuous surface for equipment. Back of shelf has oval cutouts for power and data cables. Accessory hole patterns at back of shelf fit small and large D-rings to help manage cable. Made of steel with a 150 lb. (68 kg) static load rating. Available with RAL 9005 black or RAL 7035 gray polyester powder coat finish.

BULLETIN: DACCY

| Catalog Number | Description | Finish | Minimum Depth mm/in. | Maximum Depth mm/in. |
|----------------|---------------------------------|--------|----------------------|----------------------|
| D19FVT69B | Shelf, vented, 19 in. tool-less | Black | 495 19.50 | 851 33.50 |
| D19FVT69G | Shelf, vented, 19 in. tool-less | Gray | 495 19.50 | 851 33.50 |
| D19FVT912B | Shelf, vented, 19 in. tool-less | Black | 792 31.20 | 1151 45.30 |
| D19FVT912G | Shelf, vented, 19 in. tool-less | Gray | 792 31.20 | 1151 45.30 |

Minimum and maximum depth measured from rack angle to rack angle.

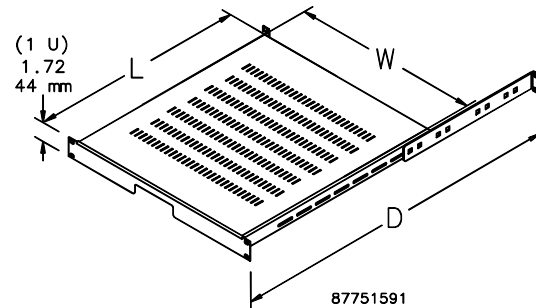


RACK-MOUNT ADJUSTABLE SHELF



Mounts to front surface of front and back rack angles. Shelf is made of painted 14 gauge steel and the adjustable support brackets are clear-plated 12 gauge steel. Adjustable to fit multiple-depth enclosures or rack angle placement. Both solid and vented models available. Fits 19- or 23-in. rack spacing. Requires only 1U of rack space. Shelf has RAL 7035 light-gray textured or RAL 9005 black textured polyester powder paint finish. Load rating: 150 lb. (68 kg)

BULLETIN: DACCY



| Catalog Number | Type | Size | Finish | L x W (in.) | L x W (mm) | D max. (in.) | D max. (mm) | Fits Enclosure Depth Up To (in.) | Fits Enclosure Depth Up To (mm) |
|----------------|--------|--------|--------|---------------|------------|--------------|-------------|----------------------------------|---------------------------------|
| P19SH68 | Solid | 19 in. | Gray | 19.68 x 17.32 | 500 x 440 | 30.71 | 780 | 31.50 | 800 |
| P19SH68B | Solid | 19 in. | Black | 19.68 x 17.32 | 500 x 440 | 30.71 | 780 | 31.50 | 800 |
| P19VSH68B | Vented | 19 in. | Black | 19.68 x 17.32 | 500 x 440 | 30.71 | 780 | 31.50 | 800 |
| P19SH810 | Solid | 19 in. | Gray | 27.56 x 17.32 | 700 x 440 | 38.58 | 980 | 39.37 | 1000 |
| P19SH810B | Solid | 19 in. | Black | 27.56 x 17.32 | 700 x 440 | 38.58 | 980 | 39.37 | 1000 |
| P19VSH810B | Vented | 19 in. | Black | 27.56 x 17.32 | 700 x 440 | 38.58 | 980 | 39.37 | 1000 |
| P23SH68B | Solid | 23 in. | Black | 19.68 x 21.32 | 500 x 542 | 30.71 | 780 | 31.50 | 800 |
| P23VSH68B | Vented | 23 in. | Black | 19.68 x 21.32 | 500 x 542 | 30.71 | 780 | 31.50 | 800 |
| P23SH810B | Solid | 23 in. | Black | 27.56 x 21.32 | 700 x 542 | 38.58 | 980 | 39.37 | 1000 |
| P23VSH810B | Vented | 23 in. | Black | 27.56 x 21.32 | 700 x 542 | 38.58 | 980 | 39.37 | 1000 |