

## Air Conditioners

### GENESIS™ Side-Mount Mid-Size Air Conditioner



#### Industry Standards

Maintains UL/cUL Type 12 rating when properly installed on a UL/cUL Type 12 enclosure.

UL/cUL Listed; UL File No. SA6453

CE

#### Application

Less than 12 inches deep, the 28 Series, 33NSM Series and 36N Series Air Conditioners offer a broad capacity range for applications requiring narrow enclosures.

#### Features

- Thermostat control
- High-performance, industrial-grade ball bearing fans in the 33 NSM and high performance centrifugal blowers in the 28 and 36N
- Removable air filter
- Built-in hanging brackets
- EMI/RFI noise suppressor is standard
- Unique condensate management system
- All units use a universally accepted CFC-free or environmentally-safe refrigerant
- Mounting gaskets and instruction manual furnished
- In accordance with the Montreal Protocol, the GENESIS™ 36 Series Air Conditioners have transitioned away from R22 refrigerant. Product performance remains within nominal capacity.

#### Finish

- Body: RAL 7042 smooth gray polyester powder coating
- Grille: RAL 7035 light gray

Bulletin: MCL

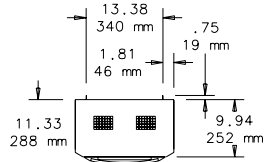
## Air Conditioners

### Standard Product GENESIS Side-Mount 28 Series

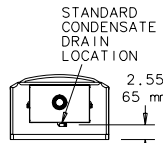
Catalog Number	Voltage	Hz	Phase	BTU/Hr @ 125 F/125 F	Full Load Amps	Max. Ambient Temp. (°F)	Max. Ambient Temp. (°C)	Shipping Weight (lb.)	Shipping Weight (kg)
M280216G013	115	50/60	1	2200/2200	9.8/9.0	125	52	98	45
M280226G004	230	50/60	1	2200/2200	5.0/4.5	125	52	98	45
M280246G400	460	50/60	1	2200/2200	2.8/2.5	125	52	108	49
M280416G007	115	50/60	1	3800/4000	14.6/14.0	125	52	116	53
M280426G032	230	50/60	1	3800/4000	7.4/6.9	125	52	116	53
M280446G400	460	50/60	1	3800/4000	4.1/3.8	125	52	136	62

Replacement Filter No. 10100056

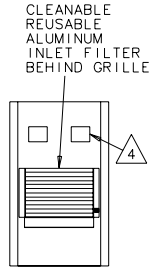
### 28 Series



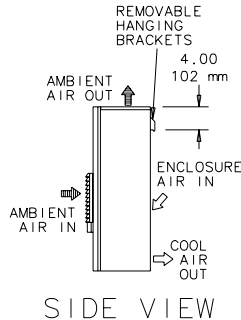
TOP VIEW



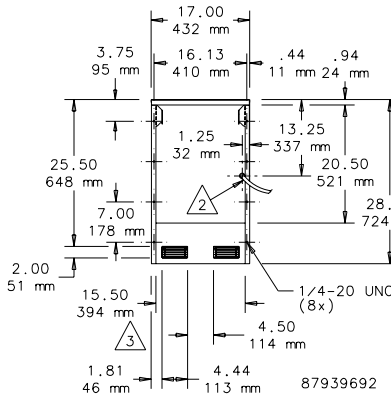
BOTTOM VIEW



FRONT VIEW



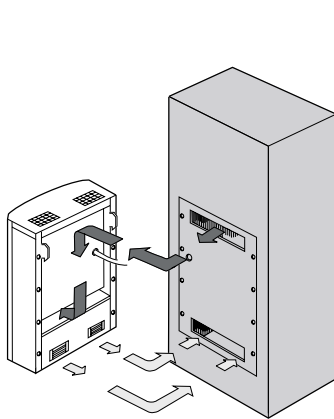
SIDE VIEW



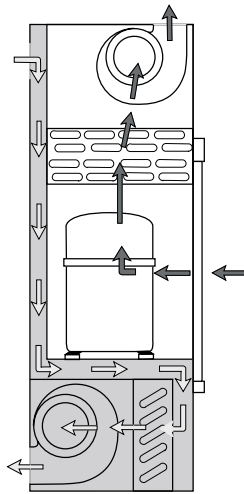
BACK VIEW

NOTE:

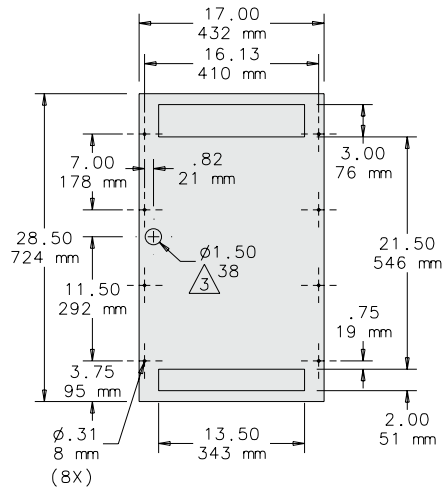
1. Gasket kit for mounting to enclosure included.
  2. Service cord.
  3. 20.50 x 15.50 inch area is recessed 1.00 inch from rear surface, or plenum.
  4. Condenser air discharge out front is optional.
- Number in triangle in CAD view refers to note number.



Side-Mount to Enclosure



28 Series



CUTOUT

NOTE:

1. Shaded area represents air conditioner.
  2. Cutout dimensions for standard products only.
  3. Hole may be deleted if the service cord is routed through the 3.00 x 13.50 inch return air opening.
  4. Full-size mounting template provided.
- Number in triangle in CAD view refers to note number.

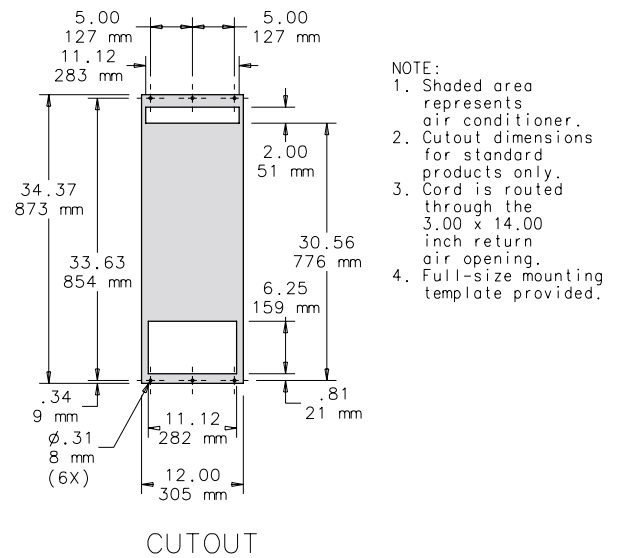
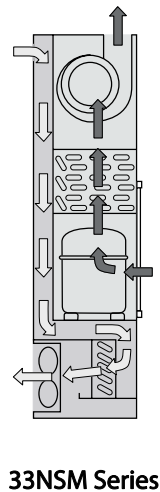
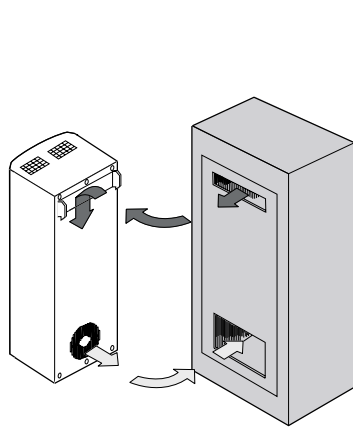
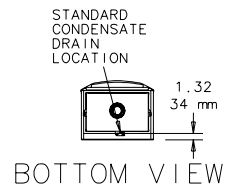
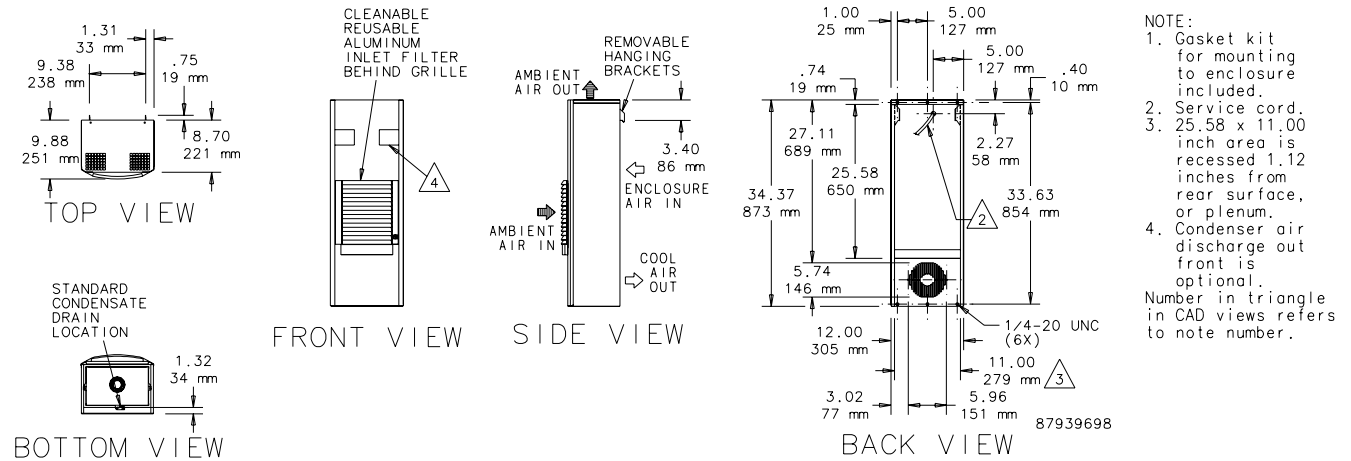
## Air Conditioners

### Standard Product GENESIS Side-Mount 33 Series

Catalog Number	Voltage	Hz	Phase	BTU/Hr @ 125 F/125 F	Full Load Amps	Max. Ambient Temp. (°F)	Max. Ambient Temp. (°C)	Shipping Weight (lb.)	Shipping Weight (kg)
M330416G010	115	50/60	1	3700/4000	13.0/13.2	125	52	105	48
M330426G009	230	50/60	1	3700/4000	7.2/7.3	125	52	105	48
M330446G400	460	50/60	1	3700/4000	4.0/4.0	125	52	125	57

Replacement Filter No. 10100057

### 33 Series



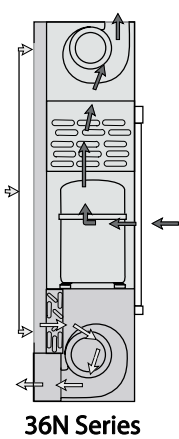
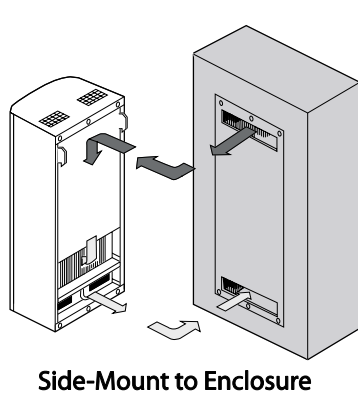
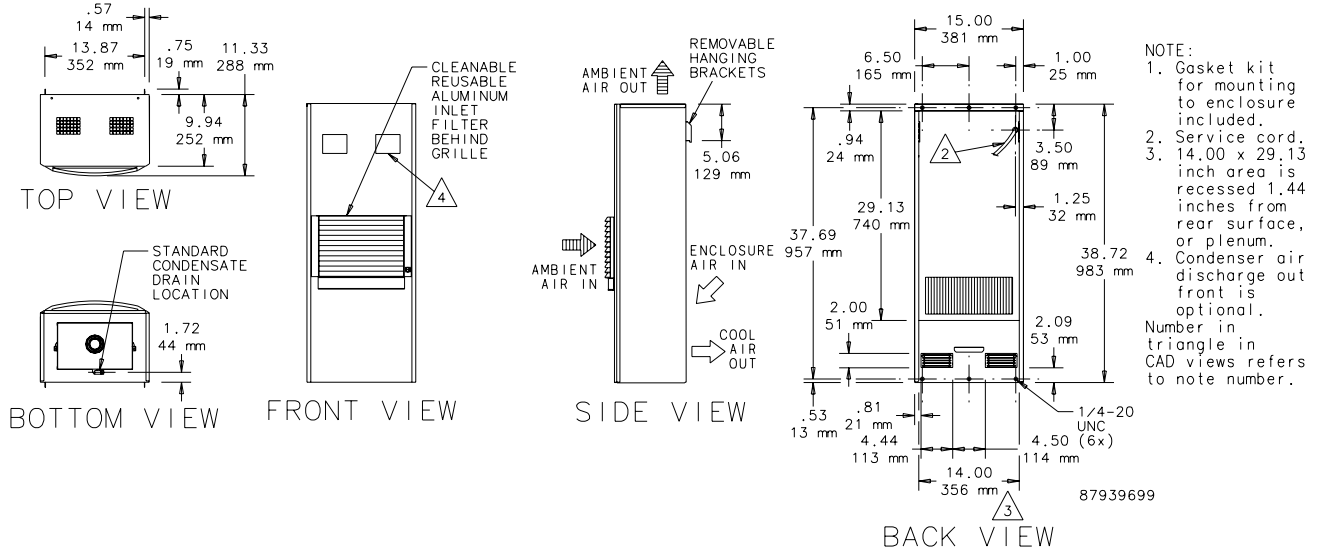
**Air Conditioners**

Standard Product **GENESIS Side-Mount 36 Series**

Catalog Number	Voltage	Hz	Phase	BTU/Hr @ 131 F/131 F	Full Load Amps	Max. Ambient Temp (°F)	Max. Ambient Temp. (°C)	Shipping Weight (lb.)	Shipping Weight (kg)
M360616G307	115	50/60	1	5000/6000	12.3	152	67	120	54
M360626G306	230	50/60	1	5000/6000	6.2	152	67	120	54
M360646G400	460	50/60	1	5000/6000	3.9	125	52	140	67

Replacement Filter No. 10100056

36 Series



■ Ambient airflow  
■ Clean airflow

