

Air Conditioners

GENESIS™ Side-Mount Mid-Size Air Conditioner



Industry Standards

Maintains UL/cUL Type 12 rating when properly installed on a UL/cUL Type 12 enclosure.

UL/cUL Listed; UL File No. SA6453

CE

Application

Less than 12 inches deep, the 28 Series, 33NSM Series and 36N Series Air Conditioners offer a broad capacity range for applications requiring narrow enclosures.

Features

- Thermostat control
- High-performance, industrial-grade ball bearing fans in the 33 NSM and high performance centrifugal blowers in the 28 and 36N
- Removable air filter
- Built-in hanging brackets
- EMI/RFI noise suppressor is standard
- Unique condensate management system
- All units use a universally accepted CFC-free or environmentally-safe refrigerant
- Mounting gaskets and instruction manual furnished

In accordance with the Montreal Protocol, the GENESIS™ 36 Series Air Conditioners will be transitioned away from R22 refrigerant by December 31, 2009. Product performance will remain at top capacity. Visit hoffmanonline.com for product updates.

Finish

- Body: RAL 7042 smooth gray polyester powder coating
- Grille: RAL 7035 light gray

Bulletin: MCL

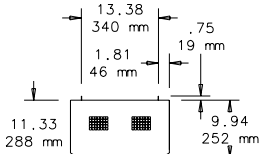
Air Conditioners

Standard Product GENESIS Side-Mount 28 Series

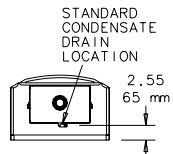
Catalog Number	Voltage	Hz	Phase	BTU/Hr @ 125 F/125 F	Full Load Amps	Max. Ambient Temp. (°F)	Max. Ambient Temp. (°C)	Shipping Weight (lb.)	Shipping Weight (kg)
M280216G013	115	50/60	1	2200/2200	9.8/9.0	125	52	98	45
M280226G004	230	50/60	1	2200/2200	5.0/4.5	125	52	98	45
M280246G400	460	50/60	1	2200/2200	2.8/2.5	125	52	108	49
M280416G007	115	50/60	1	3800/4000	14.6/14.0	125	52	116	53
M280426G032	230	50/60	1	3800/4000	7.4/6.9	125	52	116	53
M280446G400	460	50/60	1	3800/4000	4.1/3.8	125	52	136	62

Replacement Filter No. 10100056

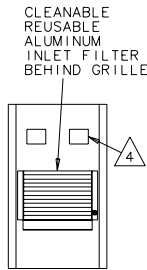
28 Series



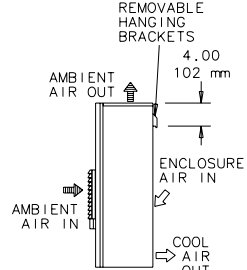
TOP VIEW



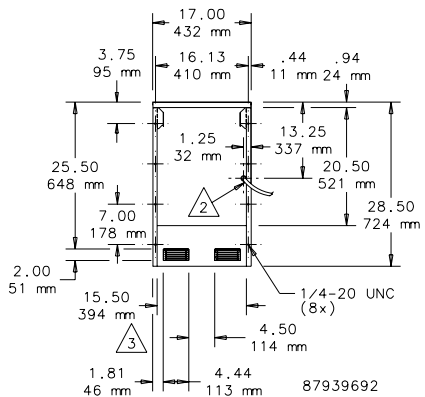
BOTTOM VIEW



FRONT VIEW



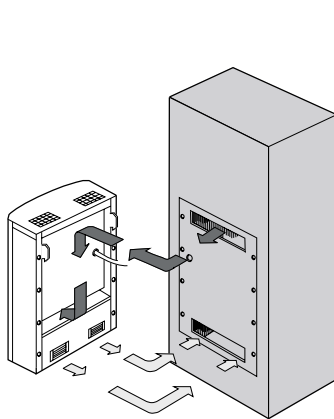
SIDE VIEW



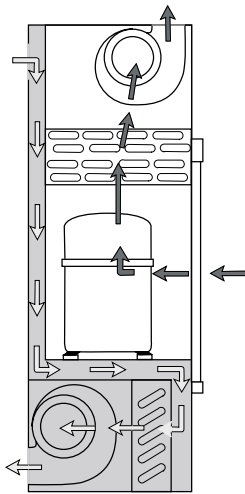
BACK VIEW

NOTE:

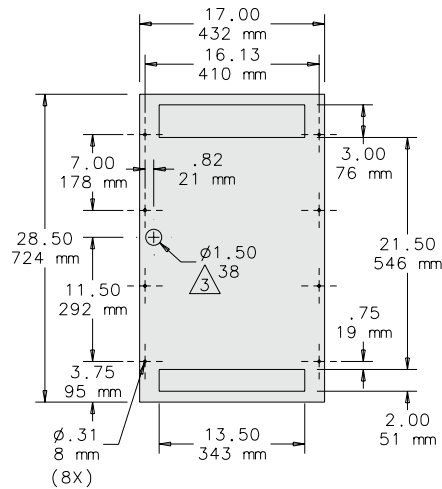
1. Gasket kit for mounting to enclosure included.
 2. Service cord.
 3. 20.50 x 15.50 inch area is recessed 1.00 inch from rear surface, or plenum.
 4. Condenser air discharge out front is optional.
- Number in triangle in CAD view refers to note number.



Side-Mount to Enclosure



28 Series



CUTOUT

NOTE:

1. Shaded area represents air conditioner.
 2. Cutout dimensions for standard products only.
 3. Hole may be deleted if the service cord is routed through the 3.00 x 13.50 inch return air opening.
 4. Full-size mounting template provided.
- Number in triangle in CAD view refers to note number.

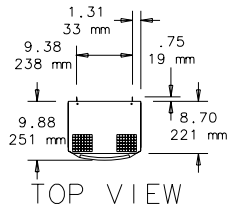
Air Conditioners

Standard Product **GENESIS Side-Mount 33 Series**

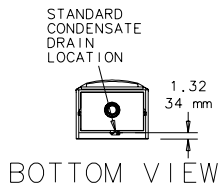
Catalog Number	Voltage	Hz	Phase	BTU/Hr @ 125 F/125 F	Full Load Amps	Max. Ambient Temp. (°F)	Max. Ambient Temp. (°C)	Shipping Weight (lb.)	Shipping Weight (kg)
M330416G010	115	50/60	1	3700/4000	13.0/13.2	125	52	105	48
M330426G009	230	50/60	1	3700/4000	7.2/7.3	125	52	105	48
M330446G400	460	50/60	1	3700/4000	4.0/4.0	125	52	125	57

Replacement Filter No. 10100057

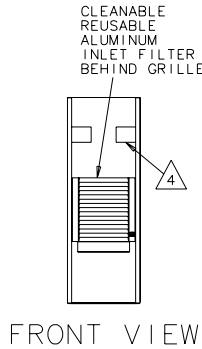
33 Series



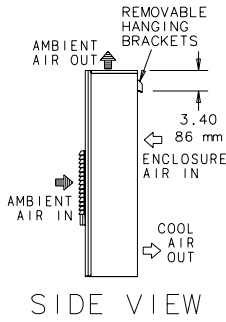
TOP VIEW



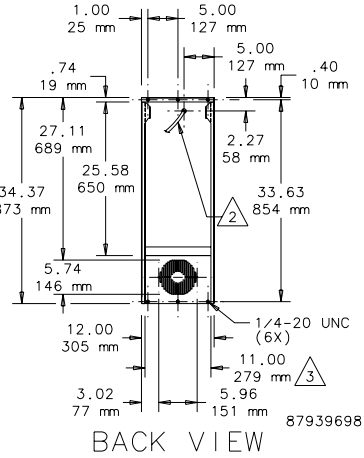
BOTTOM VIEW



FRONT VIEW

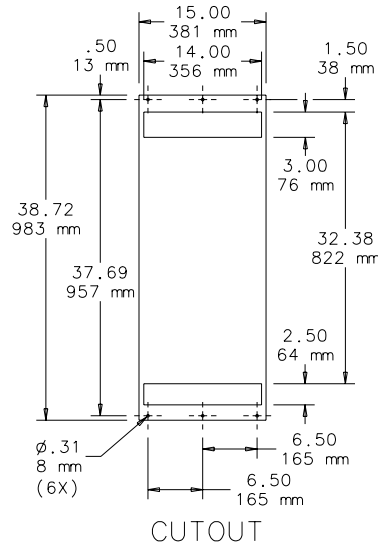


SIDE VIEW



BACK VIEW

NOTE:
1. Gasket kit for mounting to enclosure included.
2. Service cord.
3. 25.58 x 11.00 inch area is recessed 1.12 inches from rear surface, or plenum.
4. Condenser air discharge out front is optional.
Number in triangle in CAD views refers to note number.



CUTOUT

NOTE:
1. Shaded area represents air conditioner.
2. Cutout dimensions for standard products only.
3. Cord is routed through the 3.00 x 14.00 inch return air opening.
4. Full-size mounting template provided.

Air Conditioners

Standard Product GENESIS Side-Mount 36 Series

Catalog Number	Voltage	Hz	Phase	BTU/Hr @ 125 F/125 F	Full Load Amps	Max. Ambient Temp (°F)	Max. Ambient Temp. (°C)	Shipping Weight (lbs.)	Shipping Weight (kgs)
M360616307	115	50/60	1	5000/6000	14.0/14.0	152	52	120	54
M360626306	230	50/60	1	5000/6000	7.0/7.0	152	52	120	54
M360646400	460	50/60	1	5000/6000	3.9/3.9	125	52	140	64

Replacement Filter No. 10100056

In accordance with the Montreal Protocol, the GENESIS™ 36 Series Air Conditioners will be transitioned away from R22 refrigerant by December 31, 2009. Product performance will remain at top capacity. Visit hoffmanonline.com for product updates.

36 Series

