

FLAT COVER WITH SCREWS, TYPE 4X**INDUSTRY STANDARDS**

UL 508A Listed; Type 3, 3R, 4, 4X, 12, 13; File No. E54315
cUL Listed per CSA C22.2 No 94; Type 3, 3R, 4, 4X, 12, 13; File No. E54315
Enclosure flammability per UL 508A

NEMA/EEMAC Type 3, 3R, 4, 4X, 12, 13
CSA File No. 217184: Type 3, 3R, 4, 4X, 12, 13
IEC 60529, IP66
Meets NEMA Type 3RX requirements

APPLICATION

Enclosures feature a flat, overlapping cover design that ensures a more-secure seal. Available with removable and hinged covers for application flexibility.

SPECIFICATIONS

- Compression-molded fiberglass construction
- Overlapping flat, solid-covers
- Cover fastens with screws
- Type 304 stainless steel piano hinges on hinged models
- Integral mounting brackets
- Enclosures protect equipment and operators from indirect electrical contact

FINISH

Fiberglass material is RAL 7035 light-gray inside and out. Optional steel panels are painted white. Optional stainless steel, aluminum, conductive and composite panels are unpainted.

ACCESSORIES

See also *Accessories*.

H2OMIT™ Vent Drains, Type 4X

HOL-SEALERS™ Non-Metallic Hole Seals

Panels for Junction Boxes

Swing-Out Panel Kit

Terminal Block Kit Assembly for Junction Boxes Overview

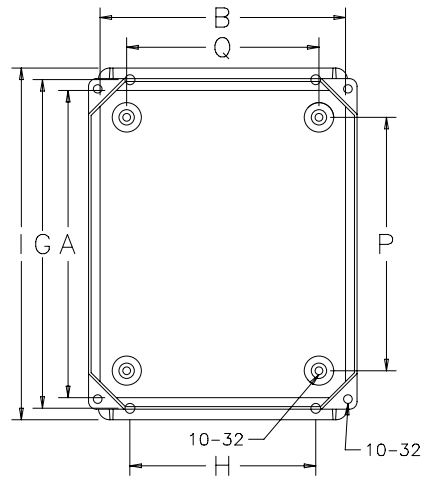
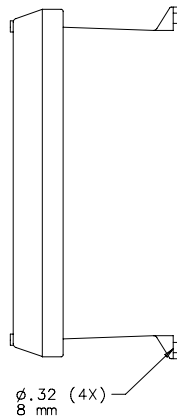
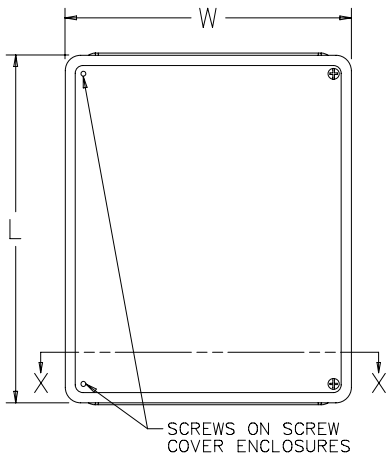
BULLETIN: HJ

Standard Product

Catalog Number	AxBxC in./mm	Door Fasteners	D in./mm	F in./mm	G in./mm	H in./mm	I in./mm	J in./mm	K in./mm	L in./mm	O in./mm	P in./mm	Q in./mm	W in./mm	Steel Panel	Aluminum Panel	Panel Size in./mm
HJ606HWLG	6.00 x 6.00 x 4.10 152 x 152 x 104	Hinged, 2 screws	4.96 126	4.64 118	6.77 172	4.01 102	7.52 191	4.34 110	0.50 13	7.31 186	1.38 35	4.26 108	4.25 108	7.31 186	A6P6	A6P6AL	4.88 x 4.88 124 x 124
HJ606WLG	6.00 x 6.00 x 4.10 152 x 152 x 104	4 screws	4.96 126	4.64 118	6.77 172	4.01 102	7.52 191	4.34 110	0.50 13	7.31 186	1.38 35	4.26 108	4.25 108	7.31 186	A6P6	A6P6AL	4.88 x 4.88 124 x 124
HJ806HWLG	8.00 x 6.00 x 4.10 203 x 152 x 104	Hinged, 2 screws	4.96 126	4.64 118	8.74 222	4.01 102	9.50 241	3.19 81	1.65 42	9.30 236	1.77 45	6.25 159	4.25 108	7.31 186	A8P6	A8P6AL	6.75 x 4.88 171 x 124
HJ806WLG	8.00 x 6.00 x 4.10 203 x 152 x 104	4 screws	4.96 126	4.64 118	8.74 222	4.01 102	9.50 241	3.19 81	1.65 42	9.30 236	1.77 45	6.26 159	4.25 108	7.31 186	A8P6	A8P6AL	6.75 x 4.88 171 x 124
HJ1008HWLG	10.00 x 8.00 x 4.59 254 x 203 x 117	Hinged, 2 screws	5.43 138	5.12 130	10.75 273	6.02 153	11.52 293	3.55 93	1.65 42	11.31 287	1.77 45	8.25 210	3.24 158	9.31 236	A10P8	A10P8AL	8.75 x 6.88 222 x 102
HJ1008WLG	10.00 x 8.00 x 4.59 254 x 203 x 117	4 screws	5.43 138	5.12 130	10.75 273	6.02 153	11.52 293	3.88 93	1.65 42	11.31 287	1.77 45	8.25 210	6.24 158	9.31 236	A10P8	A10P8AL	8.75 x 6.88 222 x 102
HJ1210HWLG	12.00 x 10.00 x 4.74 305 x 254 x 120	Hinged, 2 screws	5.58 142	5.24 133	12.75 324	8.01 203	13.51 343	3.81 97	1.65 42	13.30 338	1.77 45	10.25 160	8.25 210	11.29 287	A12P10	A12P10AL	10.75 x 8.88 273 x 226
HJ1210WLG	12.00 x 10.00 x 4.74 305 x 254 x 120	4 screws	5.58 142	5.24 133	12.75 324	8.01 203	13.51 343	3.81 97	1.65 42	13.30 338	1.77 45	10.25 160	8.25 210	11.29 287	A12P10	A12P10AL	10.75 x 8.88 273 x 226
HJ1412HWLG	14.00 x 12.00 x 5.74 356 x 305 x 146	Hinged, 2 screws	6.70 170	6.38 162	14.75 375	10.00 254	15.50 394	4.93 125	1.65 42	15.32 389	1.77 45	12.25 311	10.24 260	13.30 338	A14P12	A14P12AL	12.75 x 10.88 324 x 276
HJ1412WLG	14.00 x 12.00 x 5.74 356 x 305 x 146	4 screws	6.70 170	6.38 162	14.75 375	10.00 254	15.50 394	4.93 125	1.65 42	15.32 389	1.77 45	12.25 311	10.24 260	13.30 338	A14P12	A14P12AL	12.75 x 10.88 324 x 276
HJ1614HWLG	16.00 x 14.00 x 5.74 406 x 356 x 146	Hinged, 2 screws	6.70 170	6.38 162	16.75 425	12.00 305	14.52 445	4.93 125	1.65 42	17.31 440	1.77 45	14.25 362	12.24 311	15.30 389	A16P14	A16P14AL	14.75 x 12.88 375 x 327
HJ1614WLG	16.00 x 14.00 x 5.74 406 x 356 x 146	4 screws	6.70 170	6.38 162	16.73 425	12.00 305	17.52 445	4.93 125	1.65 42	17.31 440	1.77 45	14.25 362	12.24 311	15.30 389	A16P14	A16P14AL	14.75 x 12.88 375 x 327
HJ1816HWLG	18.00 x 16.00 x 8.62 457 x 406 x 219	Hinged, 2 screws	9.58 243	9.25 235	18.74 476	12.00 305	19.50 495	7.81 198	1.65 42	19.31 490	1.77 45	16.25 413	14.25 362	17.31 440	A18P16	A18P16AL	16.75 x 14.88 425 x 378
HJ1816WLG	18.00 x 16.00 x 8.62 457 x 406 x 219	4 screws	9.58 243	9.25 235	18.47 476	12.00 305	19.50 495	7.81 198	1.65 42	19.31 490	1.77 45	16.25 413	14.25 362	17.31 440	A18P16	A18P16AL	16.75 x 14.88 375 x 378

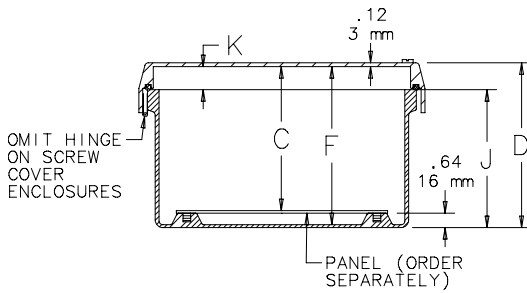
A x B x C are internal dimensions.

Purchase panels separately. Optional stainless steel, composite and aluminum panels are available for most sizes.



Top View with Door/Cover Removed

87575746



SECTION X-X